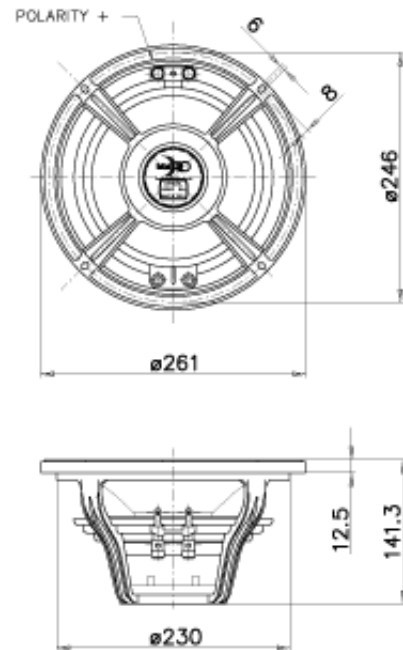




# 10FH520 Five Hundred Series



## NOMINAL SPECIFICATIONS

Nominal Diameter	250 mm (10 in)
Overall Diameter	261 mm (10.28 in)
Bolt Circle Diameter	246 mm (9.69 in)
Baffle Cutout Diameter	232 mm (9.13 in)
Depth	141.3 mm (5.56 in)
Flange and Gasket Thickness	12.5 mm (0.49 in)
Net Weight	3.4 Kg (7.5 lb)
Shipping Box (Single Carton Box)	305x305x185 mm (12x12x7.28 in)
Shipping Weight	4 Kg (8.8 lb)

## ELECTRICAL SPECIFICATION

Nominal Impedance	8 Ohm
Minimum Impedance	6 Ohm
AES Power Handling *	600 W
Maximum Power Handling **	1200 W
Sensitivity (1W/1m)	97 dB
Frequency Range	70÷4000 Hz
Voice Coil Diameter	77 mm (3 in)
Winding Material	Al
Former Material	Glass Fiber
Winding Depth	18 mm (0.71 in)
Magnetic Gap Depth	12 mm (0.47 in)
Flux Density	1.1 T
Magnet	Neodymium Slug
Demodulation	Aluminum Ring
Suspension ***	Triple Roll

## THIELE & SMALL PARAMETERS

Fs	72 Hz
Re	5.1 Ohm
Qes	0.37
Qms	2.4
Qts	0.32
Vas	21.9 dm <sup>3</sup> (0.77 ft <sup>3</sup> )
Sd	321 cm <sup>2</sup> (49.75 in <sup>2</sup> )
Xmax ****	7 mm
Xdamage *****	19.5 mm
Mms	47 g
Bl	17.4 N/A
Le	0.76 mH
Mmd	43.6 g
Cms	0.1 mm/N
Rms	8.86 Kg/s
Eta Zero	1.52 %
EBP	200 hz

## NOTES

PATENT PENDING

**Spider Profile:** 1x constant height waves

(\*) 2 Hours Test According to AES 2-1984 Rev. 2003

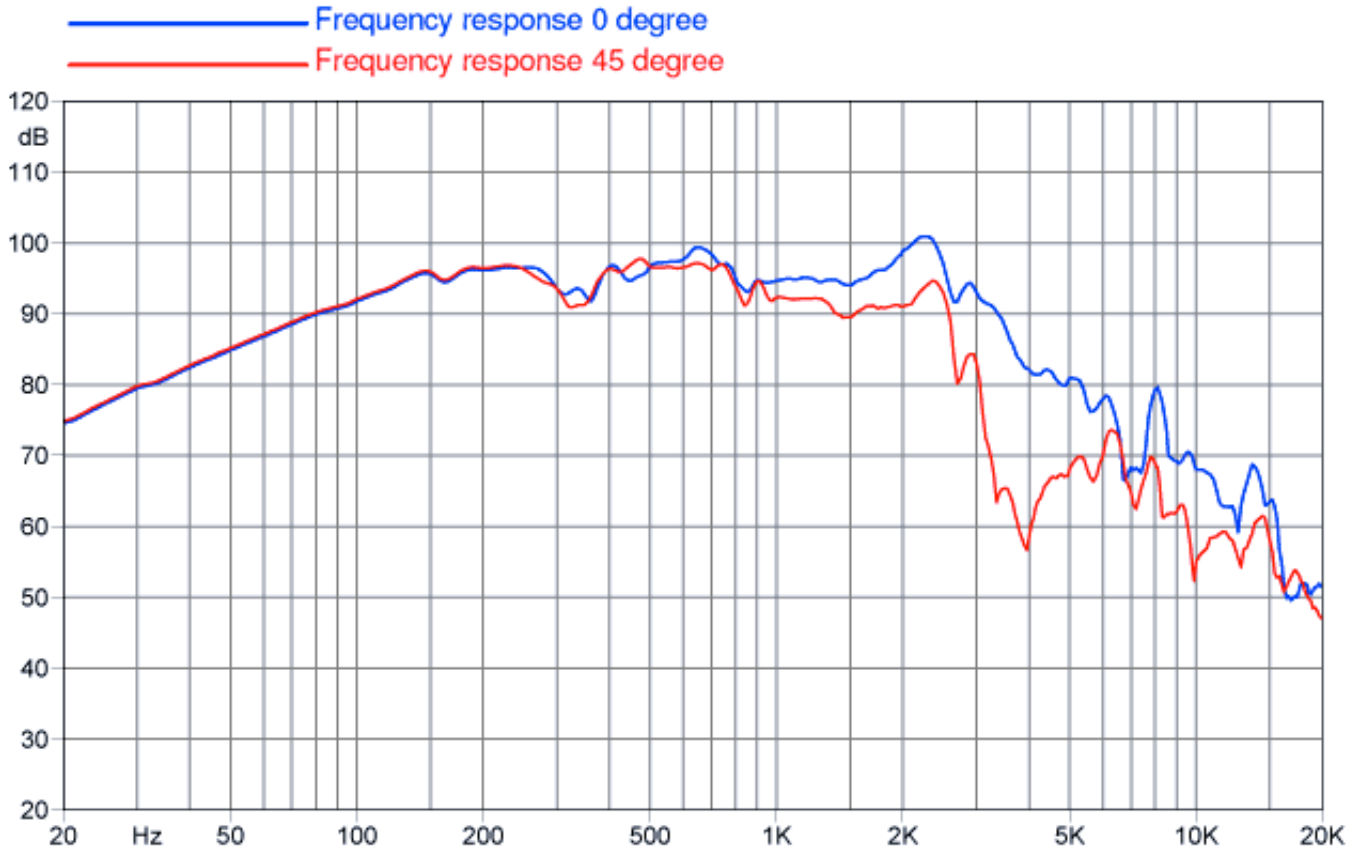
(\*\*) Maximum power is defined as 3dB greater than nominal power.

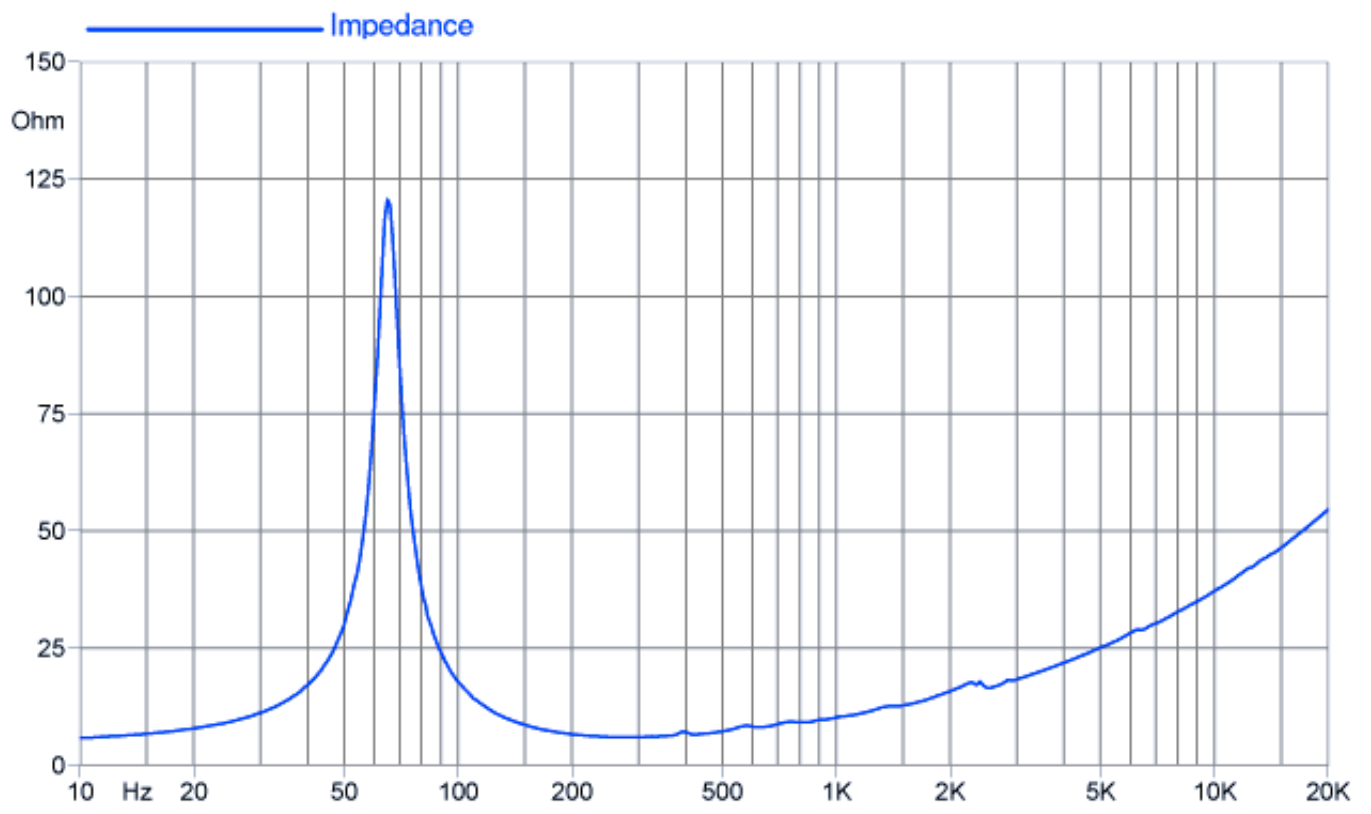
(\*\*\*) Treated Polycotton

(\*\*\*\*)  $X_{max} = [(winding\ depth - magnetic\ gap\ depth) / 2] + (magnetic\ gap\ depth / 3)$

(\*\*\*\*\*) Maximum excursion before permanent damage

## CURVES





---

©Copyright 2012 - Faital S.p.A. Fabbrica Italiana Altoparlanti - All right reserved.