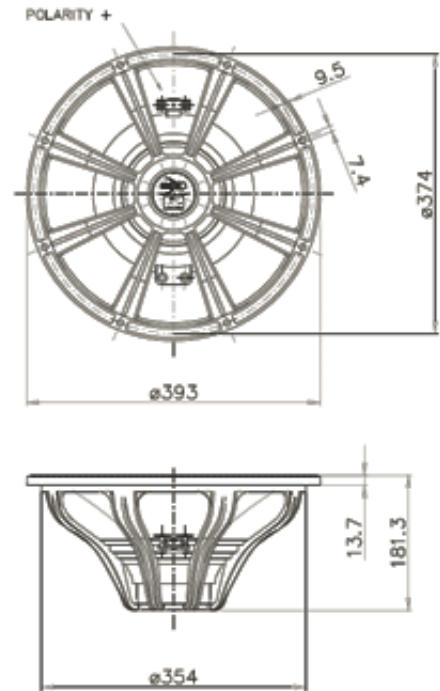




15FH520 Five Hundred Series



NOMINAL SPECIFICATIONS

Nominal Diameter	380 mm (15 in)
Overall Diameter	393 mm (15.47 in)
Bolt Circle Diameter	374 mm (14.72 in)
Baffle Cutout Diameter	355 mm (13.98 in)
Depth	181.3 mm (7.14 in)
Flange and Gasket Thickness	13.7 mm (0.54 in)
Net Weight	4.6 Kg (10.1 lb)
Shipping Box (Single Carton Box)	426x429x225 mm (16.8x16.9x8.9 in)
Shipping Weight	5.2 Kg (11.5 lb)

ELECTRICAL SPECIFICATION

Nominal Impedance	8 Ohm
Minimum Impedance	6.9 Ohm
AES Power Handling *	600 W
Maximum Power Handling **	1200 W
Sensitivity (1W/1m)	98 dB
Frequency Range	40÷4000 Hz
Voice Coil Diameter	77 mm (3 in)
Winding Material	Al
Former Material	Glass Fiber
Winding Depth	22 mm (0.87 in)
Magnetic Gap Depth	12 mm (0.47 in)
Flux Density	1.1 T
Magnet	Neodymium Slug
Demodulation	Aluminum Ring
Suspension ***	Triple Roll

THIELE & SMALL PARAMETERS

Fs	38 Hz
Re	5.6 Ohm
Qes	0.41
Qms	10.10
Qts	0.40
Vas	156.6 dm ³ (5.53 ft ³)
Sd	813 cm ² (126 in ²)
Xmax ****	9 mm
Xdamage *****	16 mm
Mms	105 g
Bl	18.4 N/A
Le	0.89 mH
Mmd	92 g
Cms	0.16 mm/N
Rms	2.5 Kg/s
Eta Zero	2 %
EBP	93 Hz

NOTES

PATENT PENDING

Spider Profile: 1x variable height waves

(*) 2 Hours Test According to AES 2-1984 Rev. 2003

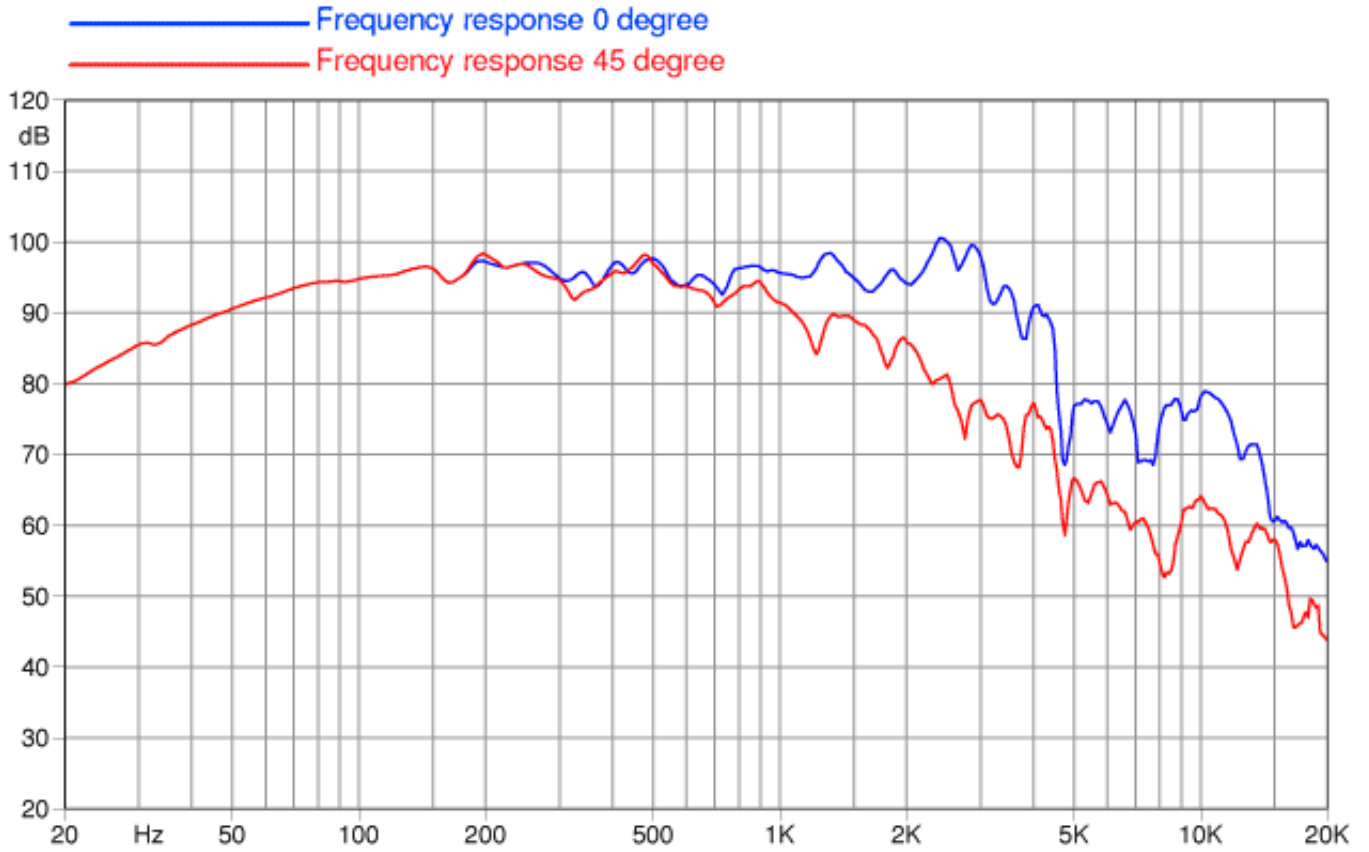
(**) Maximum power is defined as 3dB greater than nominal power.

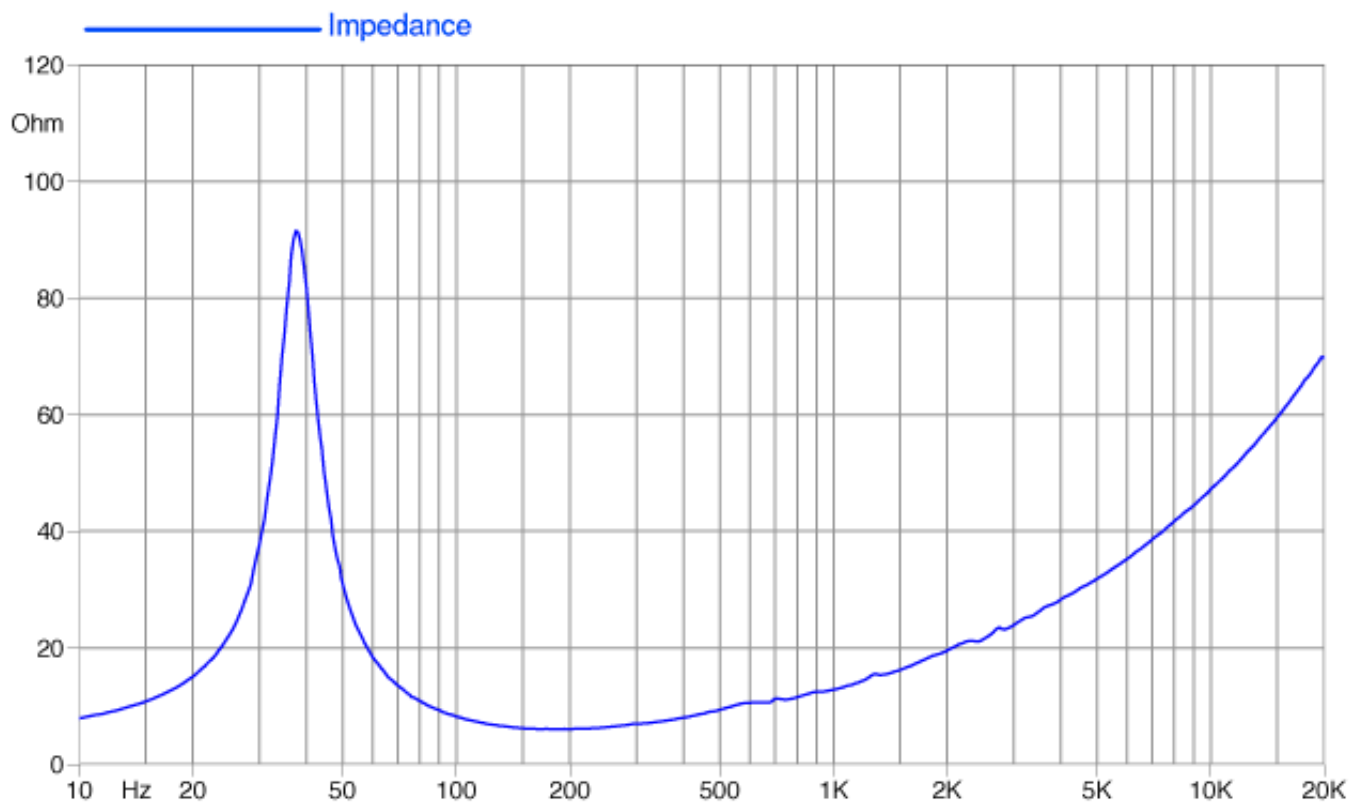
(***) Treated Polycotton

(****) $X_{max} = [(winding\ depth - magnetic\ gap\ depth) / 2] + (magnetic\ gap\ depth / 3)$

(*****) Maximum excursion before permanent damage

CURVES





©Copyright 2012 - Faisal S.p.A. Fabbrica Italiana Altoparlanti - All right reserved.