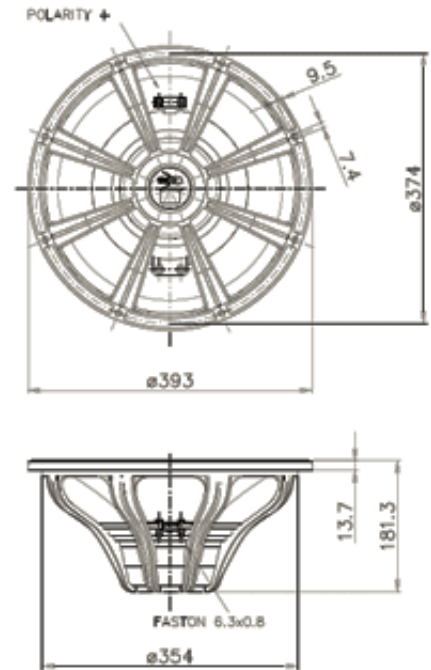




# 15HP1020 High Performance Series



## NOMINAL SPECIFICATIONS

Nominal Diameter	380 mm (15 in)
Overall Diameter	393 mm (15.47 in)
Bolt Circle Diameter	374 mm (14.72 in)
Baffle Cutout Diameter	356 mm (14 in)
Depth	181.3 mm (7.14 in)
Flange and Gasket Thickness	13.7 mm (0.54 in)
Net Weight	5.9 Kg (13 lb)
Shipping Box (Single Carton Box)	429x426x225 mm (16.9x16.8x8.9 in)
Shipping Weight	6.5 Kg (14.3 lb)

## ELECTRICAL SPECIFICATION

Minimum Impedance	6.9 Ohm
Nominal Impedance	8 Ohm
AES Power Handling *	700 W
Maximum Power Handling **	1400 W
Sensitivity (1W/1m)	99 dB
Frequency Range	40÷3150 Hz
Voice Coil Diameter	100 mm (4 in)
Winding Material	Al
Former Material	Glass Fiber
Winding Depth	23 mm (0.9 in)
Magnetic Gap Depth	12 mm (0.47 in)
Flux Density	1.3 T
Magnet	Neodymium Slug
Demodulation	No
Suspension ***	Triple Roll

## THIELE & SMALL PARAMETERS

Fs	40 Hz
Re	5.5 Ohm
Bl	24.2 N/A
Mms	118 g
Cms	0.13 mm/N
Rms	2.9 Kg/s
Qes	0.28
Qms	10.20
Qts	0.27
Vas	109 dm <sup>3</sup> (3.85 ft <sup>3</sup> )
Sd	759 cm <sup>2</sup> (117.6 in <sup>2</sup> )
Xmax ****	9.5 mm
Xdamage *****	16 mm
Le	1.2 mH
Mmd	106.2 g
Eta Zero	2.45 %
EBP	143 Hz

## NOTES

**Spider Profile:** 2x non-adjacent symmetrical constant height waves

(\*) 2 Hours Test According to AES 2-1984 Rev. 2003

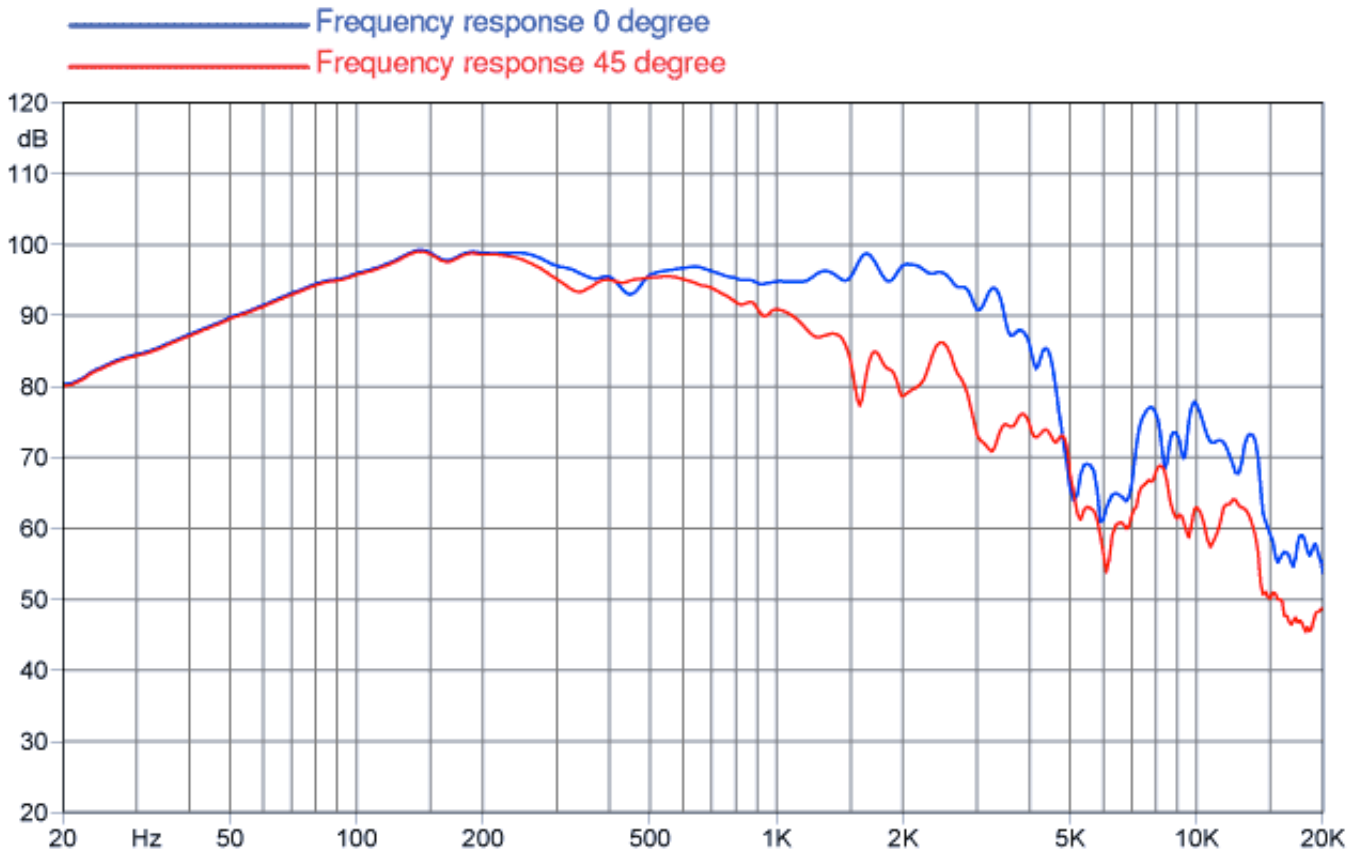
(\*\*) Maximum power is defined as 3dB greater than nominal power.

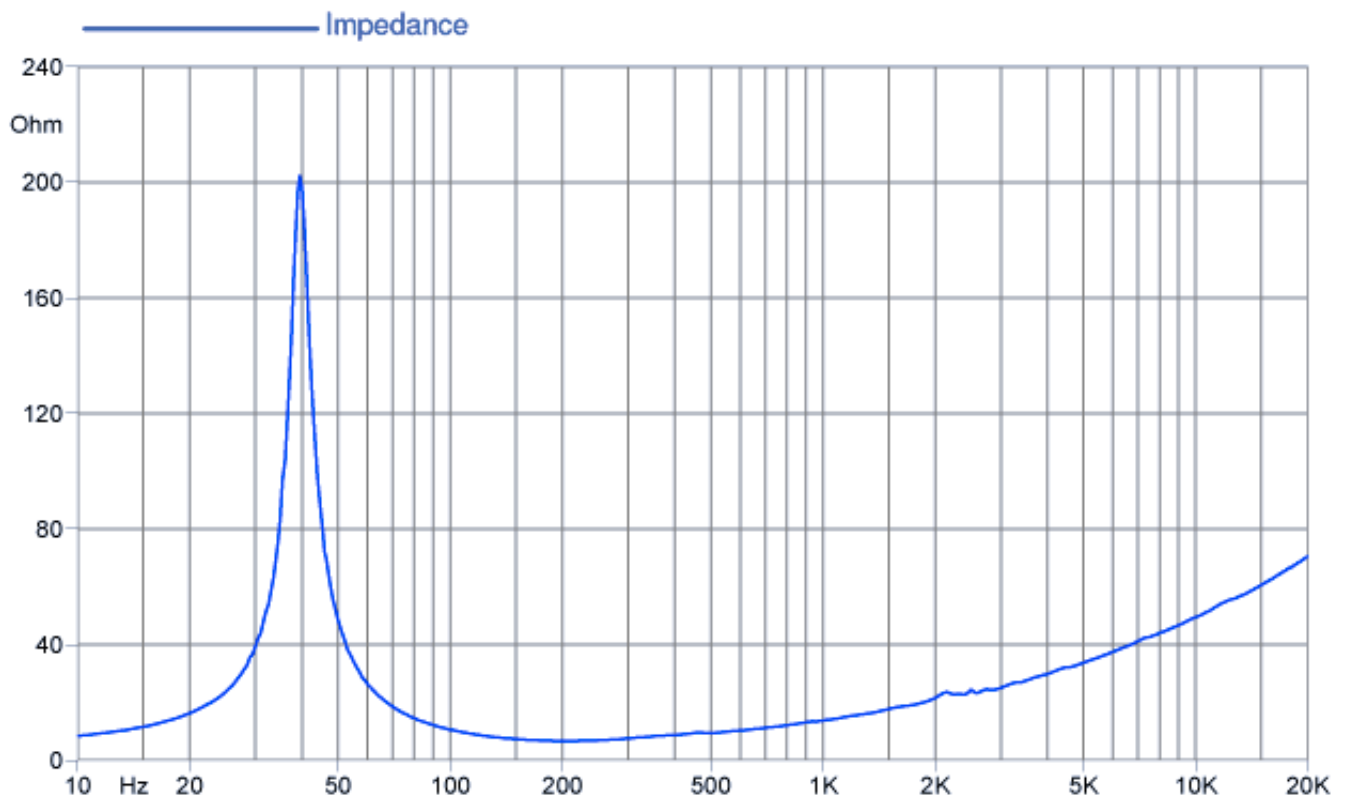
(\*\*\*) Treated Polycotton

(\*\*\*\*)  $X_{max} = [(winding\ depth - magnetic\ gap\ depth) / 2] + (magnetic\ gap\ depth / 3)$

(\*\*\*\*\*) Maximum excursion before permanent damage

## CURVES





©Copyright 2012 - Faital S.p.A. Fabbrica Italiana Altoparlanti - All right reserved.