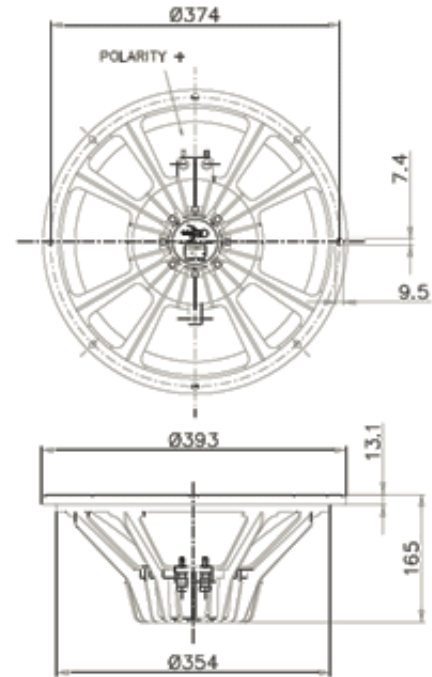




15PR400 Professional Series



NOMINAL SPECIFICATIONS

| | |
|-------------------------------------|-----------------------------------|
| Nominal Diameter | 380 mm (15 in) |
| Overall Diameter | 393 mm (15.47 in) |
| Bolt Circle Diameter | 374 mm (14.72 in) |
| Baffle Cutout Diameter | 356 mm (14 in) |
| Depth | 164.7 mm (6.48 in) |
| Flange and Gasket Thickness | 13.1 mm (0.52 in) |
| Net Weight | 3.6 Kg (7.92 lb) |
| Shipping Box (Single Carton Box) | 426x429x225 mm (16.8x16.9x8.9 in) |
| Shipping Weight | 4.7 Kg (10.34 lb) |

ELECTRICAL SPECIFICATION

| | |
|---------------------------|---------------------|
| Nominal Impedance | 8 Ohm |
| Minimum Impedance | 5.9 Ohm |
| AES Power Handling * | 400 W |
| Maximum Power Handling ** | 800 W |
| Sensitivity (1W/1m) | 100 dB |
| Frequency Range | 35÷4000 Hz |
| Voice Coil Diameter | 77 mm (3 in) |
| Winding Material | Al |
| Former Material | Glass Fiber |
| Winding Depth | 15 mm (0.59 in) |
| Magnetic Gap Depth | 10.5 mm (0.41 in) |
| Flux Density | 1.15 T |
| Magnet | Neodymium Slug |
| Demodulation | No |
| Suspension *** | Accordion (4 waves) |

THIELE & SMALL PARAMETERS

| | |
|---------------|--|
| Fs | 35 Hz |
| Re | 5.1 Ohm |
| Qes | 0.34 |
| Qms | 6.02 |
| Qts | 0.32 |
| Vas | 223 dm ³ (7.88 ft ³) |
| Sd | 805 cm ² (124.8 in ²) |
| Xmax **** | 5.75 mm |
| Xdamage ***** | 15.5 mm |
| Mms | 85.2 g |
| Bl | 16.7 N/A |
| Le | 0.75 mH |
| Mmd | 72.5 g |
| Cms | 0.24 mm/N |
| Rms | 3.11 Kg/s |
| Eta Zero | 2.71 % |
| EBP | 103 Hz |

NOTES

Spider Profile: 1x constant height waves

(*) 2 Hours Test According to AES 2-1984 Rev. 2003

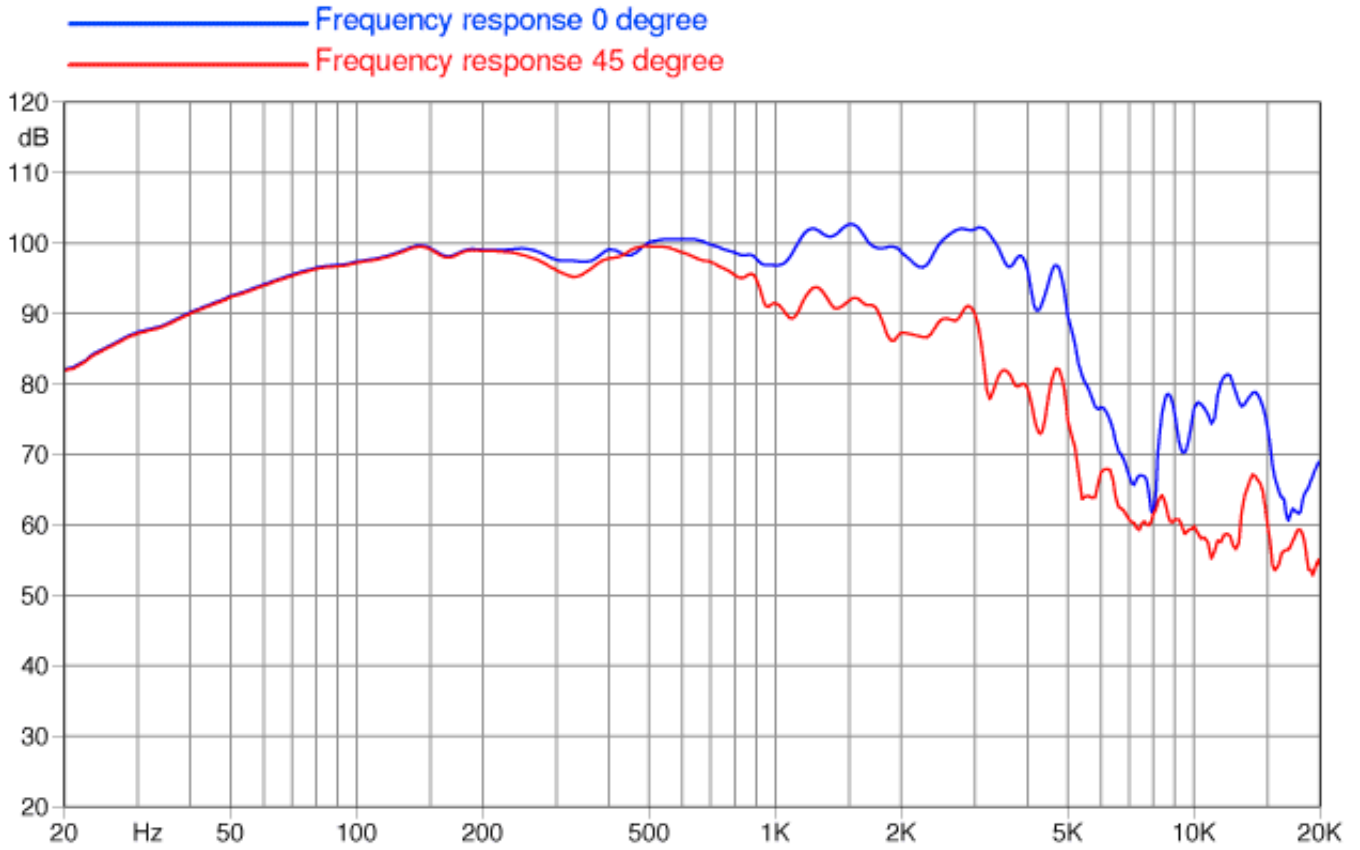
(**) Maximum power is defined as 3dB greater than nominal power.

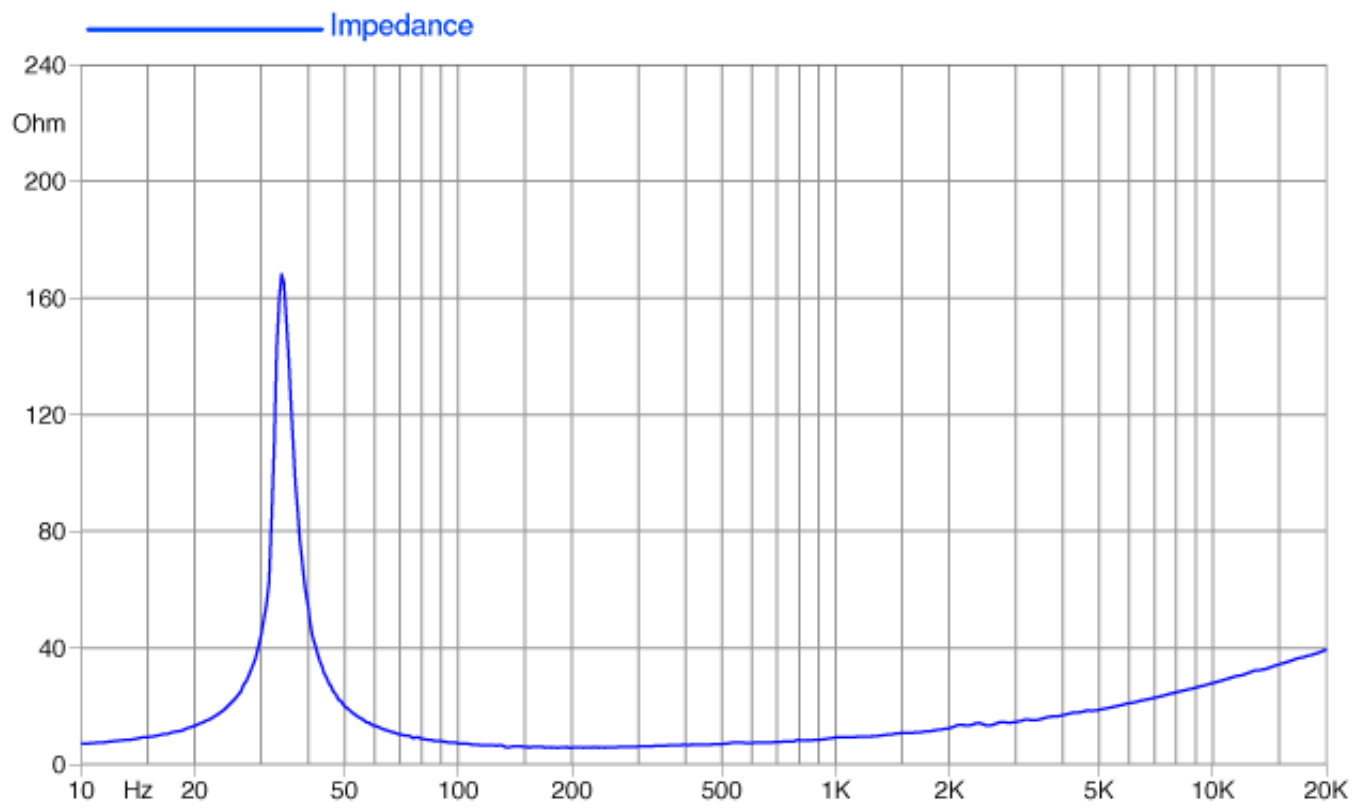
(***) Treated Polycotton

(****) $X_{max} = [(winding\ depth - magnetic\ gap\ depth) / 2] + (magnetic\ gap\ depth / 3)$

(*****) Maximum excursion before permanent damage

CURVES





©Copyright 2012 - Faital S.p.A. Fabbrica Italiana Altoparlanti - All right reserved.