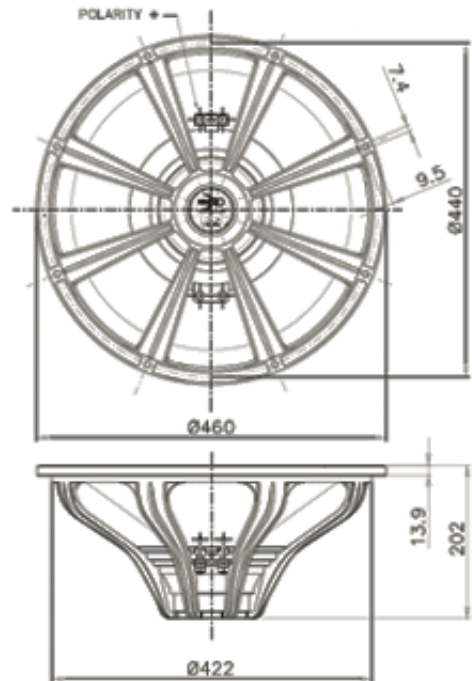




18FH500 Five Hundred Series



NOMINAL SPECIFICATIONS

Nominal Diameter	460 mm (18 in)
Overall Diameter	460 mm (18.11 in)
Bolt Circle Diameter	440 mm (17.32 in)
Baffle Cutout Diameter	424 mm (16.7 in)
Depth	202 mm (7.95 in)
Flange and Gasket Thickness	13.9 mm (0.55 in)
Net Weight	4.7 Kg (10.4 lb)
Shipping Box (Single Carton Box)	536x536x293 mm (21.1x21.1x11.5 in)
Shipping Weight	6 Kg (13.2 lb)

ELECTRICAL SPECIFICATION

Nominal Impedance	8 Ohm
Minimum Impedance	6 Ohm
AES Power Handling *	600 W
Maximum Power Handling **	1200 W
Sensitivity (1W/1m)	99 dB
Frequency Range	30÷3150 Hz
Voice Coil Diameter	77 mm (3 in)
Winding Material	Cu
Former Material	Glass Fiber
Winding Depth	22 mm (0.87 in)
Magnetic Gap Depth	10.5 mm (0.41 in)
Flux Density	1.2 T
Magnet	Neodymium Slug
Demodulation	No
Suspension ***	Triple Roll

THIELE & SMALL PARAMETERS

Fs	30 Hz
Re	5.1 Ohm
Qes	0.36
Qms	12.5
Qts	0.35
Vas	374.8 dm ³ (12.23 ft ³)
Sd	1134 cm ² (175.8 in ²)
Xmax ****	9.25 mm
Xdamage *****	17.5 mm
Mms	137 g
Bl	19 N/A
Le	1.35 mH
Mmd	114.9 g
Cms	0.21 mm/N
Rms	2.06 Kg/s
Eta Zero	2.7 %
EBP	82 Hz

NOTES

Spider Profile: 1x variable height waves

(*) 2 Hours Test According to AES 2-1984 Rev. 2003

(**) Maximum power is defined as 3dB greater than nominal power.

(***) Treated Polycotton

(****) $X_{max} = [(winding\ depth - magnetic\ gap\ depth) / 2] + (magnetic\ gap\ depth / 3)$

(*****) Maximum excursion before permanent damage

CURVES

