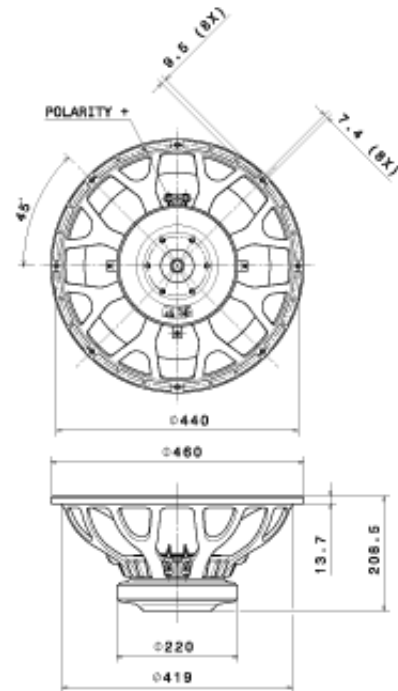




# 18HP1030 High Performance Series



## NOMINAL SPECIFICATIONS

|                                     |                                       |
|-------------------------------------|---------------------------------------|
| Nominal Diameter                    | 460 mm (18 in)                        |
| Overall Diameter                    | 460 mm (18.11 in)                     |
| Bolt Circle Diameter                | 440 mm (17.32 in)                     |
| Baffle Cutout Diameter              | 421 mm (16.57 in)                     |
| Depth                               | 208.5 mm (8.21 in)                    |
| Flange and Gasket Thickness         | 13.7 mm (0.54 in)                     |
| Net Weight                          | 12.1 Kg (26.57 lb)                    |
| Shipping Box<br>(Single Carton Box) | 503x500x258 mm (19.80x19.68x10.16 in) |
| Shipping Weight                     | 13.3 Kg (29.32 lb)                    |

## ELECTRICAL SPECIFICATION

|                           |                   |
|---------------------------|-------------------|
| Nominal Impedance         | 8 Ohm             |
| Minimum Impedance         | 6.5 Ohm           |
| AES Power Handling *      | 1200 W            |
| Maximum Power Handling ** | 2400 W            |
| Sensitivity (1W/1m)       | 98 dB             |
| Frequency Range           | 35÷1600 Hz        |
| Voice Coil Diameter       | 100 mm (4 in)     |
| Winding Material          | Cu                |
| Former Material           | Glass Fiber       |
| Winding Depth             | 28.9 mm (1.14 in) |
| Magnetic Gap Depth        | 12 mm (0.47 in)   |
| Flux Density              | 1.1 T             |
| Magnet                    | Ferrite Ring      |
| Demodulation              | Aluminum Ring     |
| Suspension ***            | Triple Roll       |

## THIELE & SMALL PARAMETERS

|               |   |
|---------------|---|
| Fs            | 35 Hz   |
| Re            | 5 Ohm   |
| Qes           | 0.43  |
| Qms           | 11.6  |
| Qts           | 0.41  |
| Vas           | 162.1 dm <sup>3</sup> (5.72 ft <sup>3</sup> ) |
| Sd            | 1124 cm <sup>2</sup> (174.2 in <sup>2</sup> ) |
| Xmax ****     | 12.45 mm                                      |
| Xdamage ***** | 23.1 mm                                       |
| Mms           | 228.6 g                                       |
| Bl            | 24.3 N/A                                      |
| Le            | 1.48 mH                                       |
| Mmd           | 205.8 g                                       |
| Cms           | 0.09 mm/N                                     |
| Rms           | 4.33 Kg/s                                     |
| EBP           | 81 Hz   |
| Eta Zero      | 1.59 %  |

## NOTES

**Spider Profile:** 2x non-adjacent symmetrical constant height waves

(\*) 2 Hours Test According to AES 2-1984 Rev. 2003

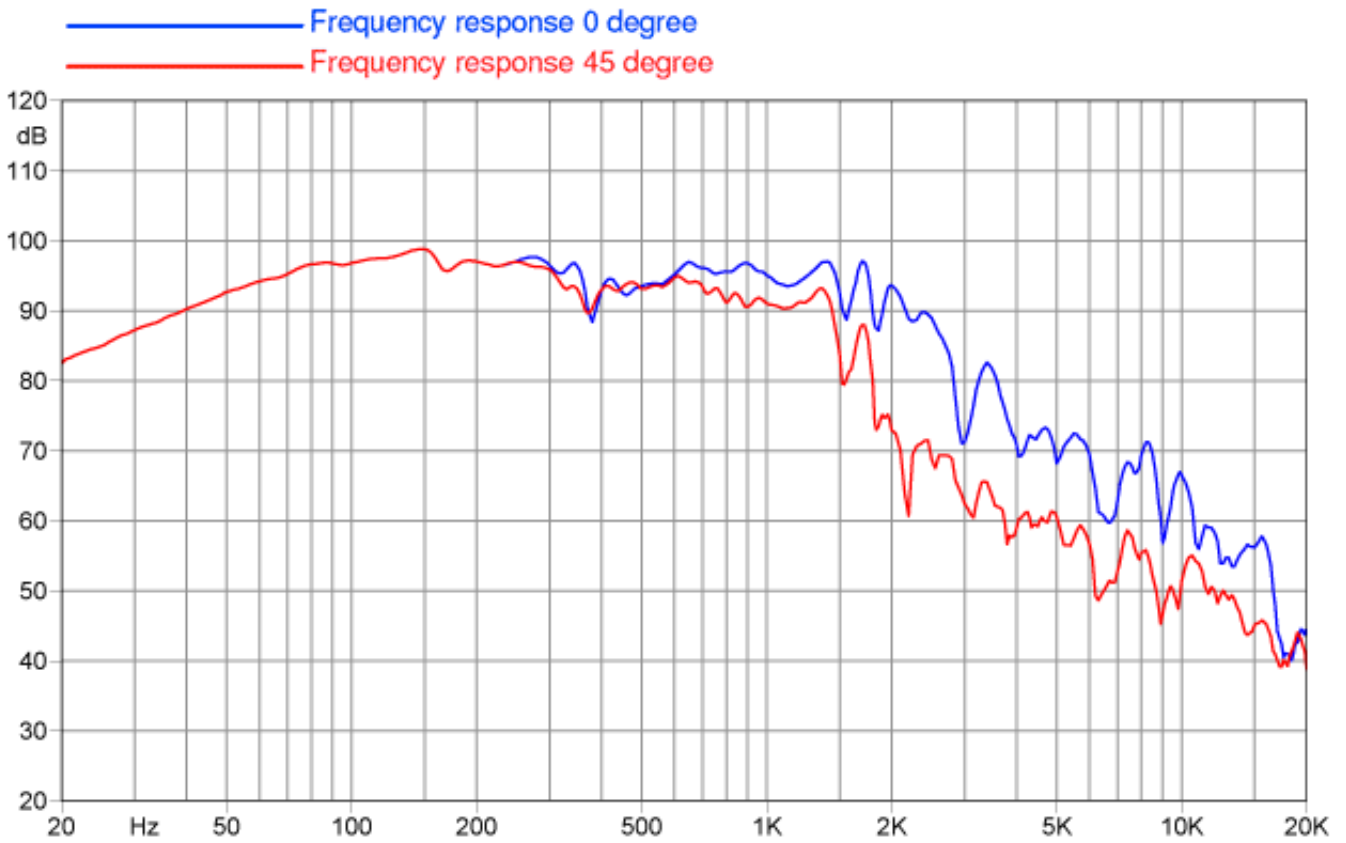
(\*\*) Maximum power is defined as 3dB greater than nominal power.

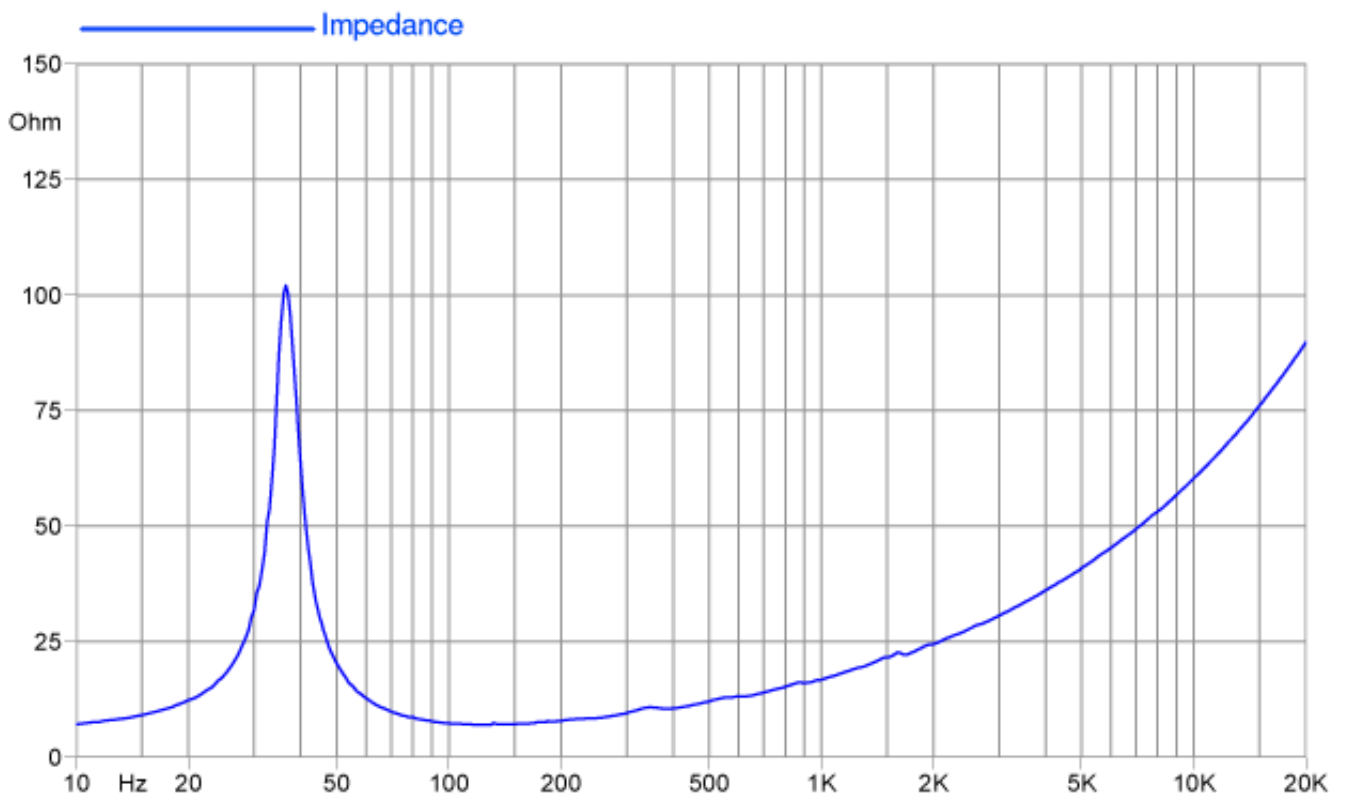
(\*\*\*) Treated Polycotton

(\*\*\*\*)  $X_{max} = [(winding\ depth - magnetic\ gap\ depth) / 2] + (magnetic\ gap\ depth / 3)$

(\*\*\*\*\*) Maximum excursion before permanent damage

## CURVES





©Copyright 2012 - Faital S.p.A. Fabbrica Italiana Altoparlanti - All right reserved.