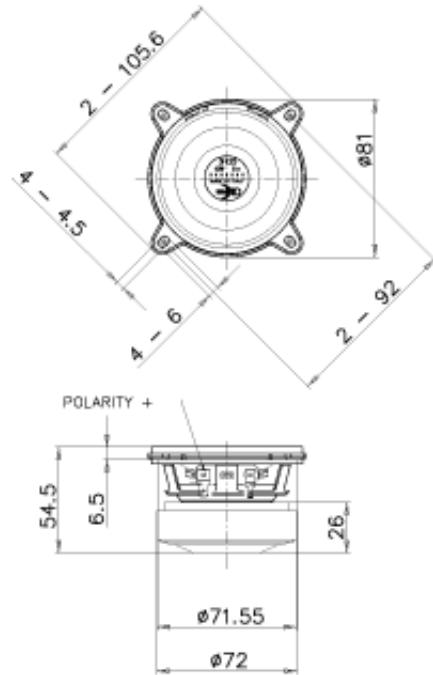




# 3FE25 Fe Series



## NOMINAL SPECIFICATIONS

Nominal Diameter	80 mm (3 in)
Overall Diameter	105.6/81 mm (4.16/3.19 in)
Bolt Circle Diameter	92 mm (3.62 in)
Baffle Cutout Diameter	74 mm (2.91 in)
Depth	54.5 mm (2.15 in)
Flange and Gasket Thickness	6.5 mm (0.25 in)
Net Weight	545 g (1.20 lb)
Shipping Box	285x285x255 mm
(Single Carton Box - 36 units)	(11.22x11.22x10.04 in)
Shipping Weight (36 units)	20.8 Kg (45.86 lb)

## ELECTRICAL SPECIFICATION

Nominal Impedance	8 Ohm
Minimum Impedance	6.2 Ohm
AES Power Handling *	20 W
Maximum Power Handling **	40 W
Sensitivity (1W/1m)	91 dB
Frequency Range	100-20000 Hz
Voice Coil Diameter	19 mm (0.75 in)
Winding Material	Al
Former Material	Kapton
Winding Depth	5 mm (0.2 in)
Magnetic Gap Depth	4 mm (0.16 in)
Flux Density	1.1 T
Magnet	Ferrite Ring
Demodulation	Copper Cap
Suspension ***	Half Roll

## THIELE & SMALL PARAMETERS

Fs	110 Hz
Re	6.2 Ohm
Qes	0.8
Qms	4.1
Qts	0.7
Vas	0.8 dm <sup>3</sup> (0.03 ft <sup>3</sup> )
Sd	30.2 cm <sup>2</sup> (4.68 in <sup>2</sup> )
Xmax ****	1.83 mm
Xdamage *****	7.9 mm
Mms	2.4 g
Bl	3.6 N/A
Le	0.07 mH
Mmd	2.3 g
Cms	0.87 mm/N
Rms	0.4 Kg/s
Eta Zero	0.18 %
EBP	138 Hz

## NOTES

Packaged and sold in multiples of 36 units

**Spider Profile:** 1x constant height waves

(\*) 2 Hours Test According to AES 2-1984 Rev. 2003

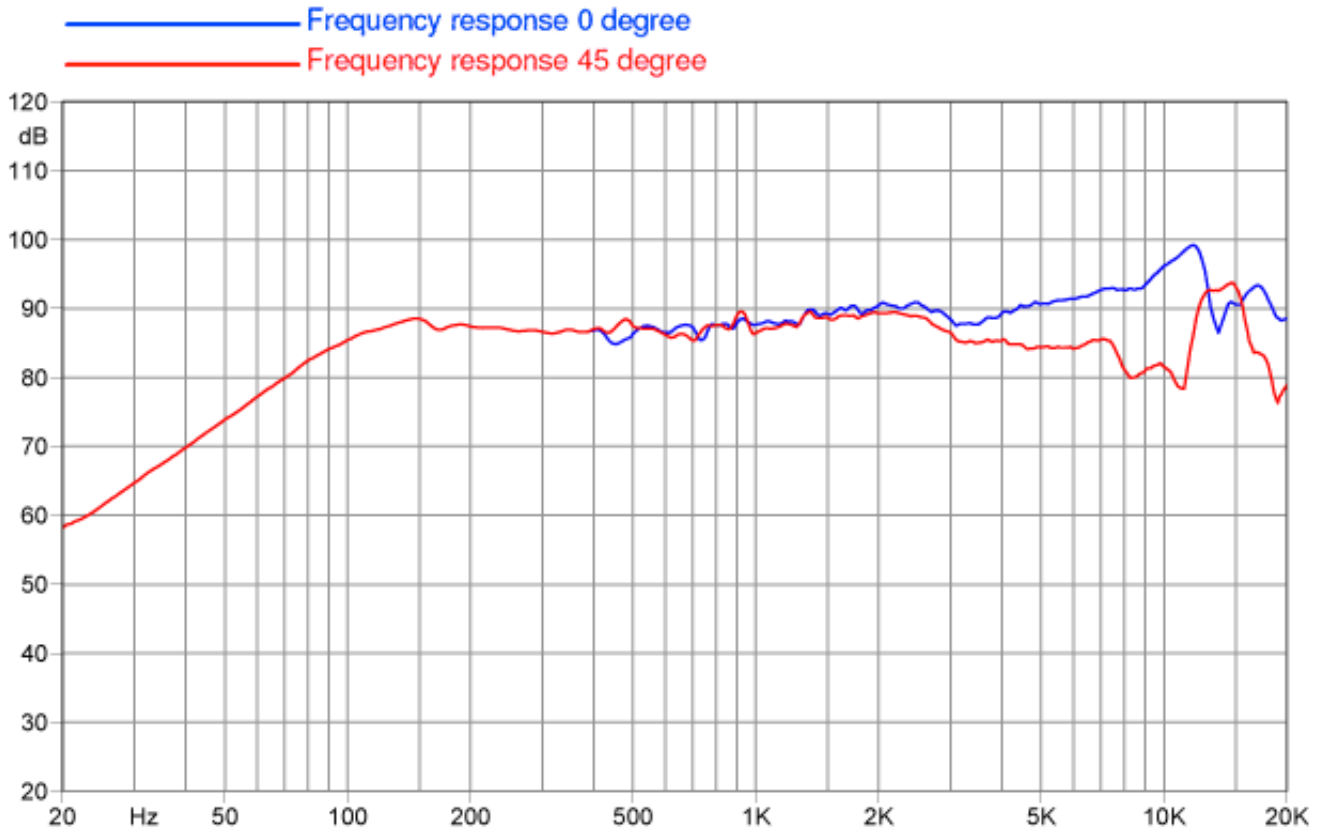
(\*\*) Maximum power is defined as 3dB greater than nominal power.

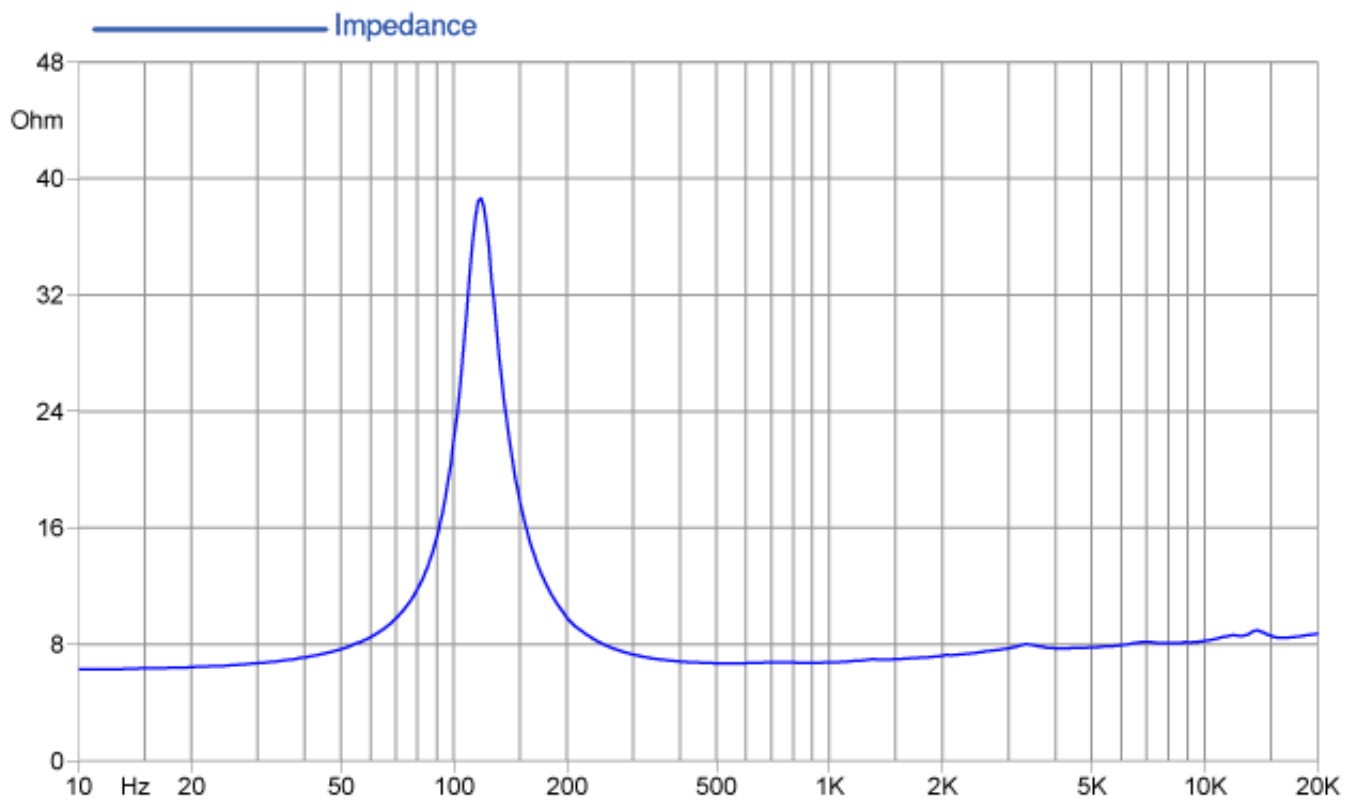
(\*\*\*) NBR

(\*\*\*\*)  $X_{max} = [(winding\ depth - magnetic\ gap\ depth) / 2] + (magnetic\ gap\ depth / 3)$

(\*\*\*\*\*) Maximum excursion before permanent damage

## CURVES





---

©Copyright 2012 - Faital S.p.A. Fabbrica Italiana Altoparlanti - All right reserved.