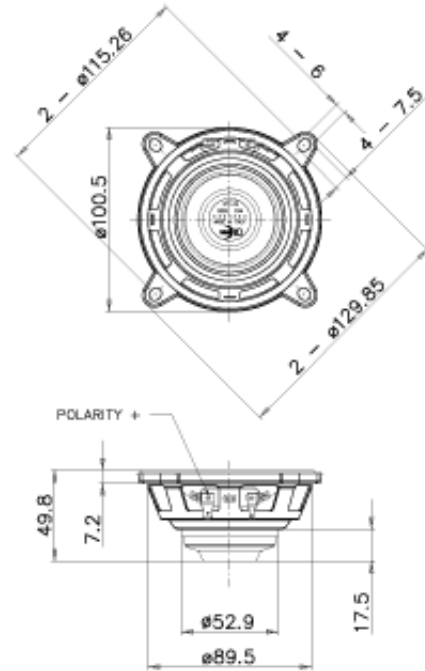




4FE32 Fe Series



NOMINAL SPECIFICATIONS

| | |
|-------------------------------|-----------------------------------|
| Nominal Diameter | 100 mm (4 in) |
| Overall Diameter | 129.85/100.5 mm (5.1/3.9 in) |
| Bolt Circle Diameter | 115.26 mm (4.54 in) |
| Baffle Cutout Diameter | 91.5 mm (3.60 in) |
| Depth | 49.8 mm (1.96 in) |
| Flange and Gasket Thickness | 7.2 mm (0.28 in) |
| Net Weight | 270 g (0.60 lb) |
| Shipping Box | 225x225x150 mm (8.86x8.86x150 in) |
| (Single Carton Box - 8 units) | |
| Shipping Weight (8 units) | 2.8 Kg (6.17 lb) |

ELECTRICAL SPECIFICATION

| | |
|---------------------------|------------------|
| Nominal Impedance | 8 Ohm |
| Minimum Impedance | 7 Ohm |
| AES Power Handling * | 30 W |
| Maximum Power Handling ** | 60 W |
| Sensitivity (1W/1m) | 91 dB |
| Frequency Range | 90-20000 Hz |
| Voice Coil Diameter | 19 mm (0.75 in) |
| Winding Material | Al |
| Former Material | Kapton |
| Winding Depth | 6.8 mm (0.27 in) |
| Magnetic Gap Depth | 4 mm (0.16 in) |
| Flux Density | 1.4 T |
| Magnet | Neodymium Ring |
| Demodulation | No |
| Suspension *** | Half Roll |

THIELE & SMALL PARAMETERS

| | |
|---------------|--|
| Fs | 100 Hz |
| Re | 6.5 Ohm |
| Qes | 0.6 |
| Qms | 4.9 |
| Qts | 0.5 |
| Vas | 4 dm ³ (0.14 ft ³) |
| Sd | 48 cm ² (7.44 in ²) |
| Xmax **** | 2.73 mm |
| Xdamage ***** | 6.8 mm |
| Mms | 4.2 g |
| Bl | 4.8 N/A |
| Le | 0.18 mH |
| Mmd | 3.9 g |
| Cms | 0.6 mm/N |
| Rms | 0.45 Kg/s |
| Eta Zero | 0.55 % |
| EBP | 167 Hz |

NOTES

Packaged and sold in multiples of 8 units

Spider Profile: 1x constant height waves

(*) 2 Hours Test According to AES 2-1984 Rev. 2003

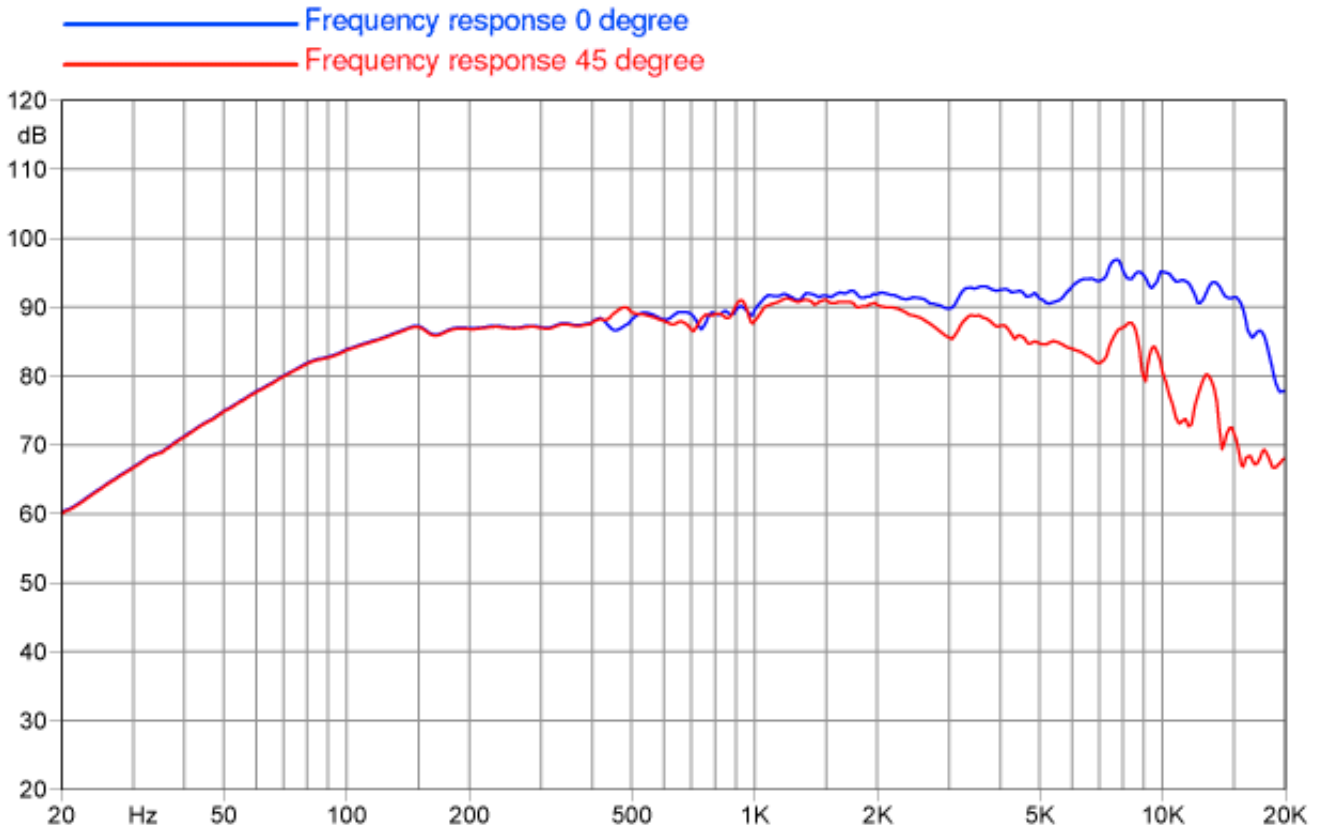
(**) Maximum power is defined as 3dB greater than nominal power.

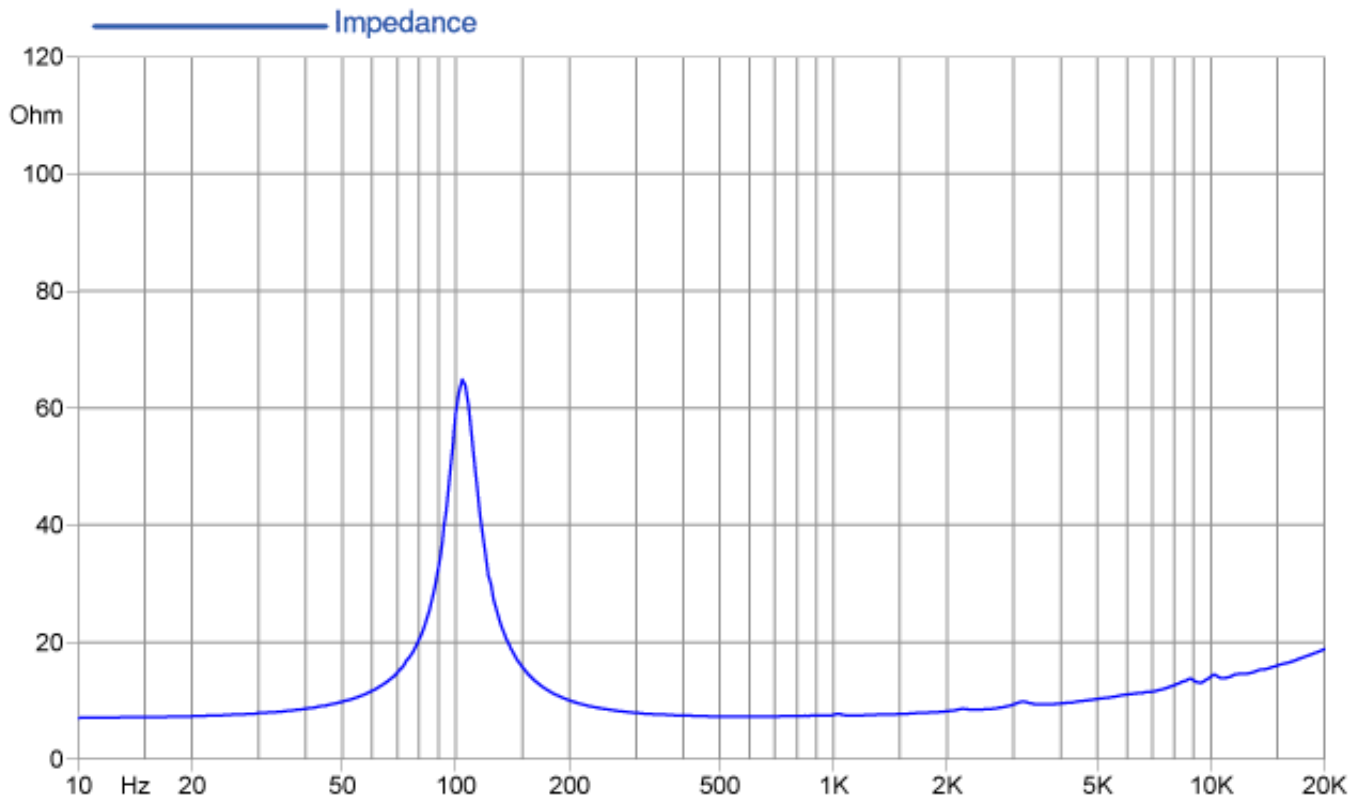
(***) NBR

(****) $X_{max} = [(winding\ depth - magnetic\ gap\ depth) / 2] + (magnetic\ gap\ depth / 3)$

(*****) Maximum excursion before permanent damage

CURVES





©Copyright 2012 - Faital S.p.A. Fabbrica Italiana Altoparlanti - All right reserved.