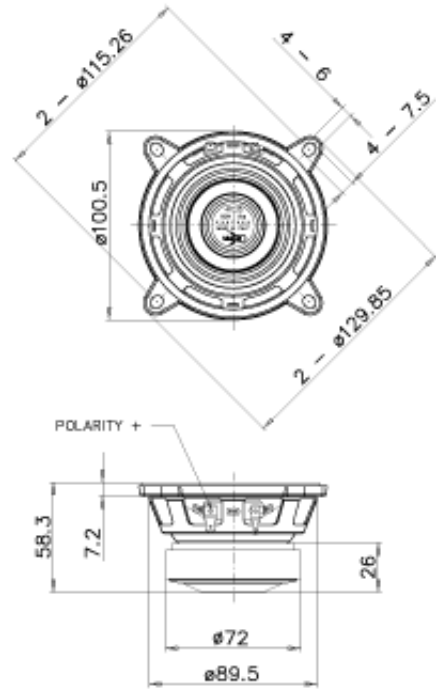




# 4FE35 Fe Series



## NOMINAL SPECIFICATIONS

Nominal Diameter	100 mm (4 in)
Overall Diameter	128.85/100.5 mm (5.1/3.9 in)
Bolt Circle Diameter	115.26 mm (4.54 in)
Baffle Cutout Diameter	91.5 mm (3.60 in)
Depth	58.3 mm (2.30 in)
Flange and Gasket Thickness	7.2 mm (0.28 in)
Net Weight	570 g (1.26 lb)
Shipping Box	225x225x150 mm (8.86x8.86x5.91 in)
(Single Carton Box - 8 units)	
Shipping Weight (8 units)	5 Kg (11.02 lb)

## ELECTRICAL SPECIFICATION

Nominal Impedance	8 Ohm
Minimum Impedance	7.2 Ohm
AES Power Handling *	30 W
Maximum Power Handling **	60 W
Sensitivity (1W/1m)	91 dB
Frequency Range	90-20000 Hz
Voice Coil Diameter	19 mm (0.75 in)
Winding Material	Al
Former Material	Kapton
Winding Depth	6.8 mm (0.27 in)
Magnetic Gap Depth	4 mm (0.16 in)
Flux Density	1.1 T
Magnet	Ferrite Ring
Demodulation	Copper Cap
Suspension ***	Half Roll

## THIELE & SMALL PARAMETERS

Fs	100 Hz
Re	6.5 Ohm
Qes	1.04
Qms	4.2
Qts	0.84
Vas	3.4 dm <sup>3</sup> (0.12 ft <sup>3</sup> )
Sd	48 cm <sup>2</sup> (7.44 in <sup>2</sup> )
Xmax ****	2.73 mm
Xdamage *****	6.8 mm
Mms	3.9 g
Bl	3.9 N/A
Le	0.1 mH
Mmd	3.7 g
Cms	0.65 mm/N
Rms	0.6 Kg/s
Eta Zero	0.19 %
EBP	96 Hz

## NOTES

Packaged and sold in multiples of 8 units

**Spider Profile:** 1x constant height waves

(\*) 2 Hours Test According to AES 2-1984 Rev. 2003

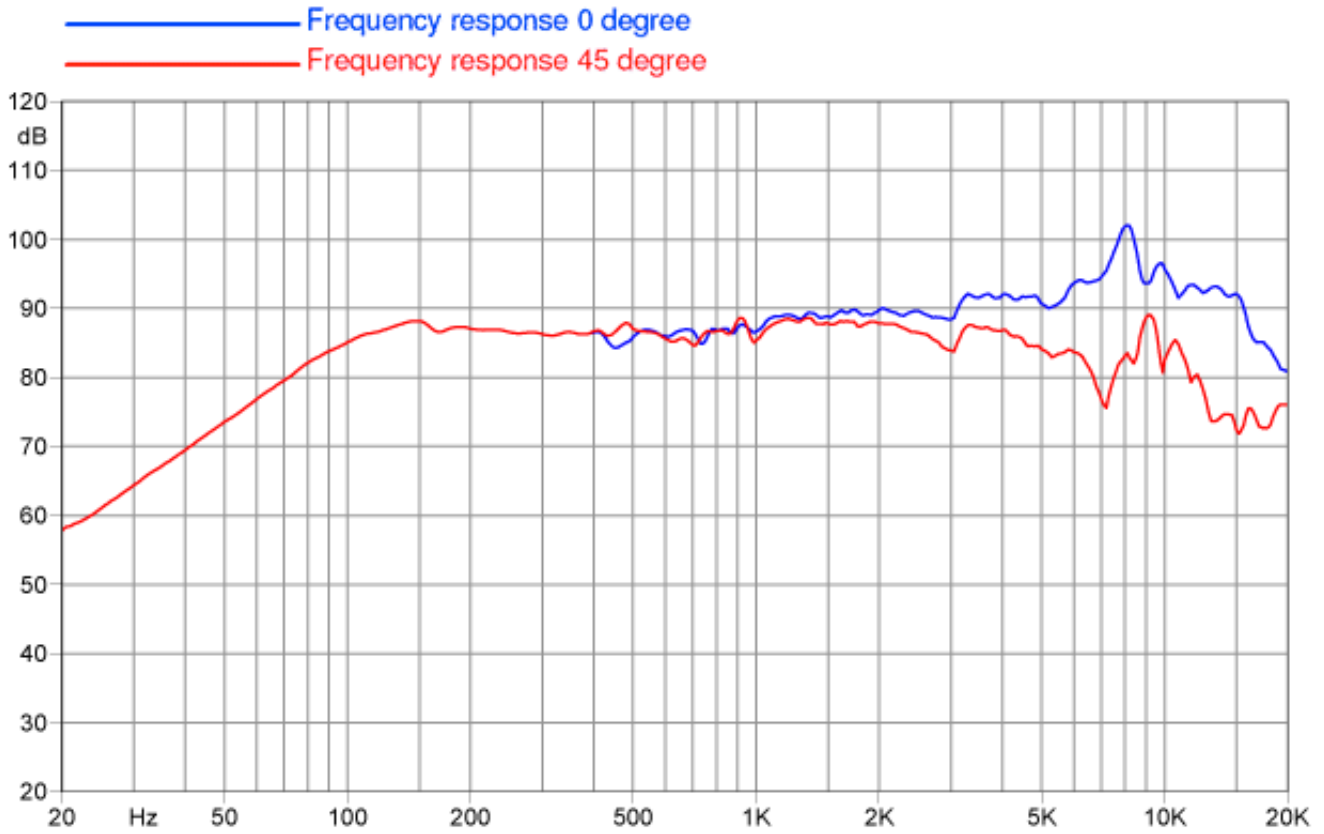
(\*\*) Maximum power is defined as 3dB greater than nominal power.

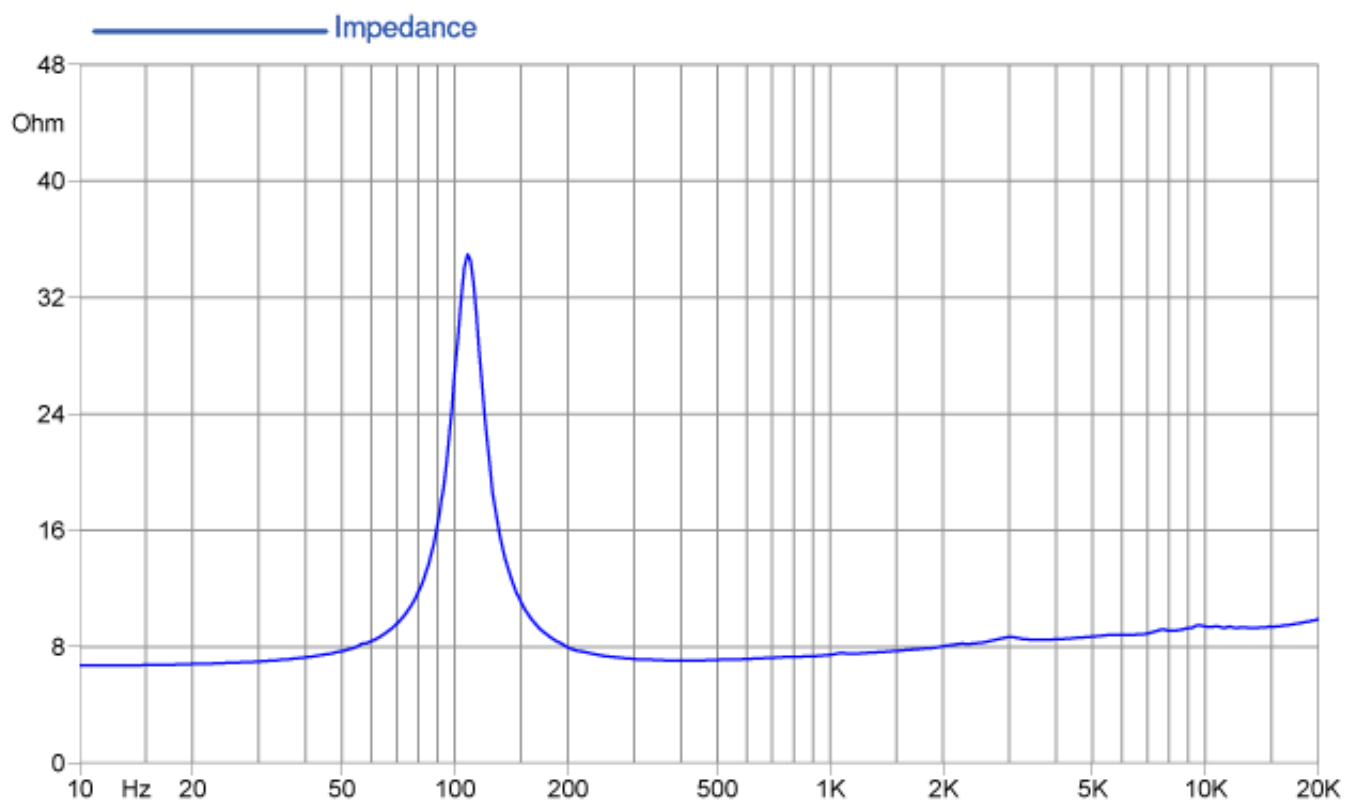
(\*\*\*) NBR

(\*\*\*\*)  $X_{max} = [(winding\ depth - magnetic\ gap\ depth) / 2] + (magnetic\ gap\ depth / 3)$

(\*\*\*\*\*) Maximum excursion before permanent damage

## CURVES





---

©Copyright 2012 - Faital S.p.A. Fabbrica Italiana Altoparlanti - All right reserved.