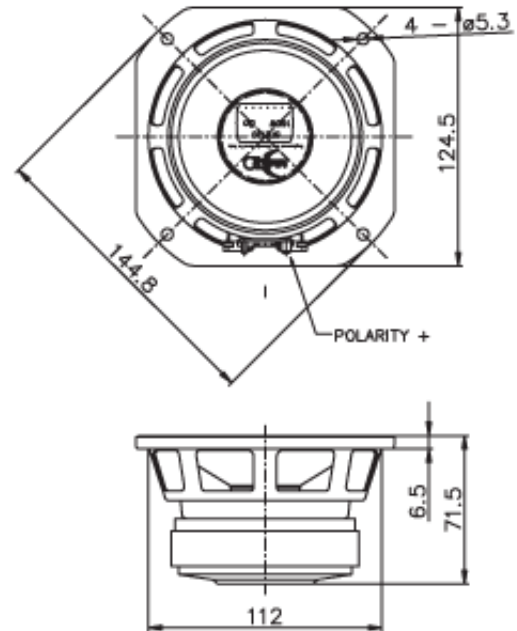




5FE100 Fe Series



NOMINAL SPECIFICATIONS

Nominal Diameter	130 mm (5 in)
Overall Diameter	144.8/124.5 mm (5.7/4.9 in)
Bolt Circle Diameter	133 mm (5.24 in)
Baffle Cutout Diameter	114 mm (4.49 in)
Depth	65 mm (2.56 in)
Flange and Gasket Thickness	6.5 mm (0.25 in)
Net Weight	1.12 Kg (2.47 lb)
Shipping Box (Single Carton Box - 8 units)	302x275x186 mm (11.88x10.82x7.3 in)
Shipping Weight (8 units)	10.1 Kg (22.2 lb)

ELECTRICAL SPECIFICATION

Nominal Impedance	8 Ohm
Minimum Impedance	6.3 Ohm
AES Power Handling *	80 W
Maximum Power Handling **	160 W
Sensitivity (1W/1m)	88 dB
Frequency Range	65÷6300 Hz
Voice Coil Diameter	32 mm (1.26 in)
Winding Material	Cu
Former Material	Kapton
Winding Depth	12.5 mm (0.49 in)
Magnetic Gap Depth	6 mm (0.24 in)
Flux Density	1 T
Magnet	Ferrite Ring
Demodulation	No
Suspension ***	Half Roll

THIELE & SMALL PARAMETERS

Fs	65 Hz
Re	5.4 Ohm
Qes	0.47
Qms	8.18
Qts	0.44
Vas	5.16 dm ³ (0.18 ft ³)
Sd	79.8 cm ² (12.37 in ²)
Xmax ****	5.25 mm
Xdamage *****	9.5 mm
Mms	10.5 g
Bl	6.9 N/A
Le	0.53 mH
Mmd	10.1 g
Cms	0.55 mm/N
Rms	0.57 Kg/s
Eta Zero	0.30 %
EBP	138 Hz

NOTES

Packaged and sold in multiples of 8 units

Spider Profile: 1x constant height waves

(*) 2 Hours Test According to AES 2-1984 Rev. 2003

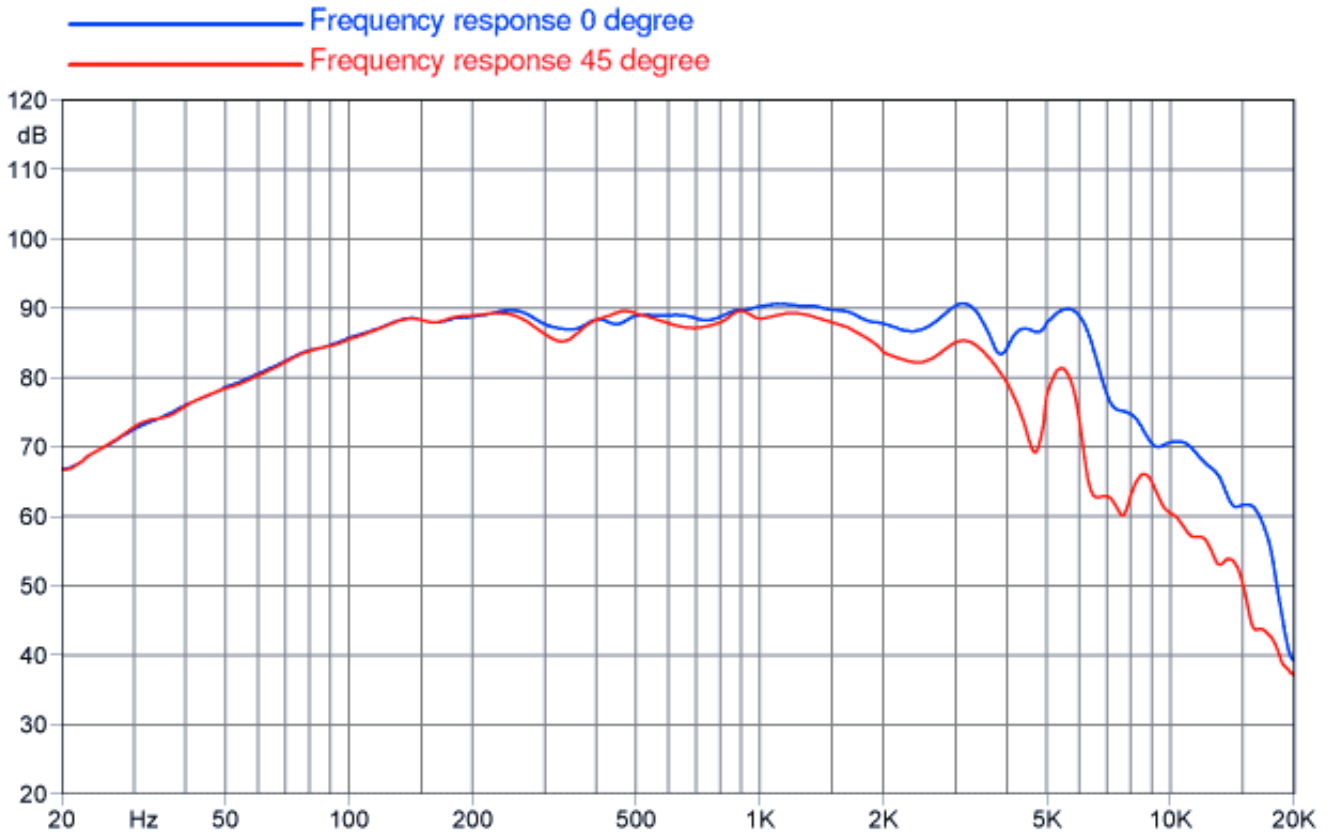
(**) Maximum power is defined as 3dB greater than nominal power.

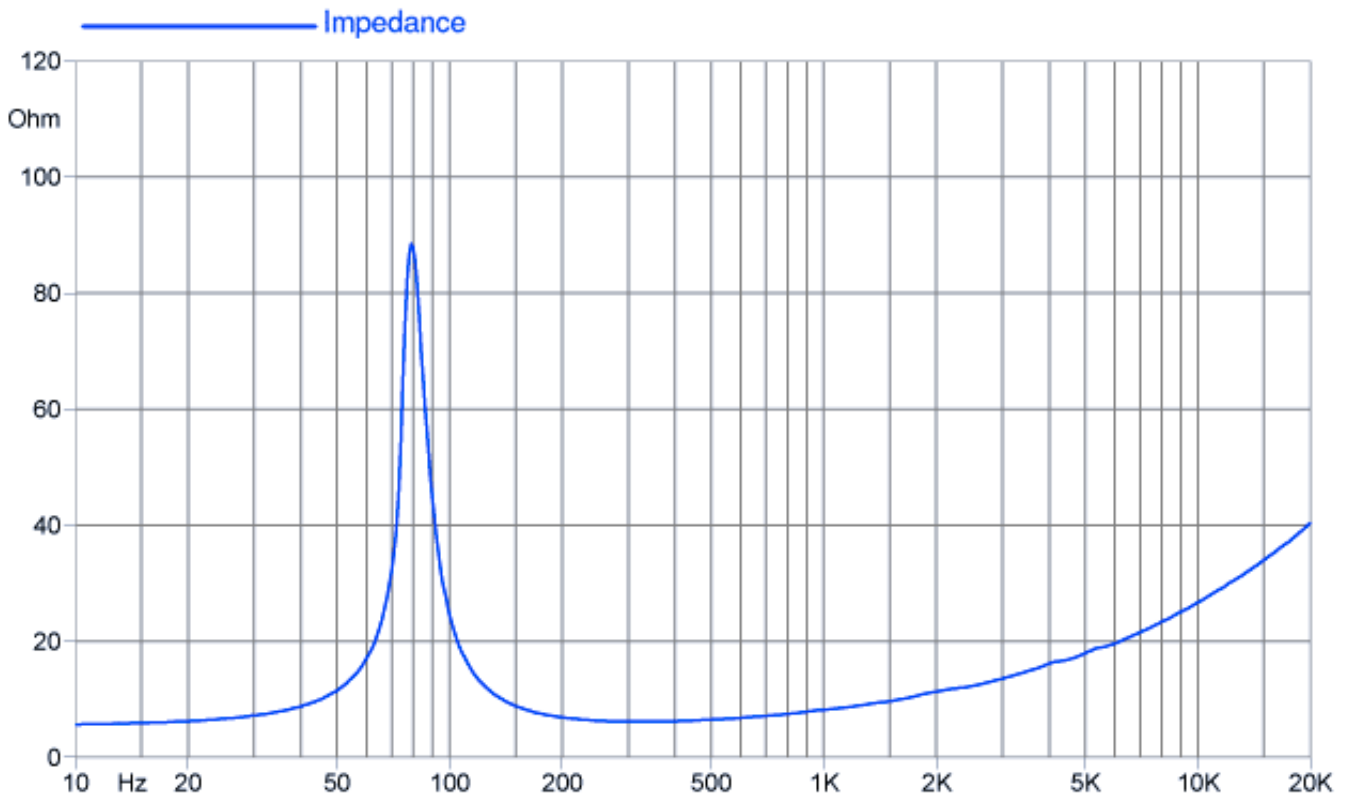
(***) NBR

(****) $X_{max} = [(winding\ depth - magnetic\ gap\ depth) / 2] + (magnetic\ gap\ depth / 3)$

(*****) Maximum excursion before permanent damage

CURVES





©Copyright 2012 - Faital S.p.A. Fabbrica Italiana Altoparlanti - All right reserved.