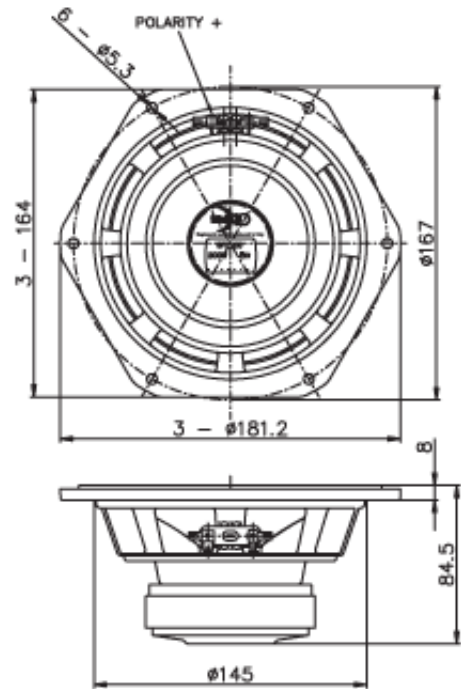




6FE100 Fe Series



NOMINAL SPECIFICATIONS

Nominal Diameter	160 mm (6 in)
Overall Diameter	181.2/164 mm (7.13/6.46 in)
Bolt Circle Diameter	167 mm (6.57 in)
Baffle Cutout Diameter	147 mm (5.79 in)
Depth	84.5 mm (3.33 in)
Flange and Gasket Thickness	8 mm (0.31 in)
Net Weight	1.2 Kg (2.64 lb)
Shipping Box (Single Carton Box - 4 units)	380x393x128 mm (14.9x15.47x5.03 in)
Shipping Weight (4 units)	5.6 Kg (13.82 lb)

ELECTRICAL SPECIFICATION

Nominal Impedance	8 Ohm
Minimum Impedance	5.9 Ohm
AES Power Handling *	100 W
Maximum Power Handling **	200 W
Sensitivity (1W/1m)	91 dB
Frequency Range	63÷5000 Hz
Voice Coil Diameter	32 mm (1.26 in)
Winding Material	Cu
Former Material	Kapton
Winding Depth	12.5 mm (0.49 in)
Magnetic Gap Depth	6 mm (0.24 in)
Flux Density	1 T
Magnet	Ferrite Ring
Demodulation	Aluminum Ring
Suspension ***	Half Roll

THIELE & SMALL PARAMETERS

Fs	61 Hz
Re	5.4 Ohm
Qes	0.6
Qms	6
Qts	0.54
Vas	14.8 dm ³ (0.52 ft ³)
Sd	143 cm ² (22.16 in ²)
Xmax ****	5.25 mm
Xdamage *****	13.15 mm
Mms	14 g
Bl	6.8 N/A
Le	0.5 mH
Mmd	13 g
Cms	0.56 mm/N
Rms	0.84 Kg/s
Eta Zero	0.46 %
EBP	102 Hz

NOTES

Packaged and sold in multiples of 4 units

Spider Profile: 1x constant height waves

(*) 2 Hours Test According to AES 2-1984 Rev. 2003

(**) Maximum power is defined as 3dB greater than nominal power.

(***) NBR

(****) $X_{max} = [(winding\ depth - magnetic\ gap\ depth) / 2] + (magnetic\ gap\ depth / 3)$

(*****) Maximum excursion before permanent damage

CURVES

