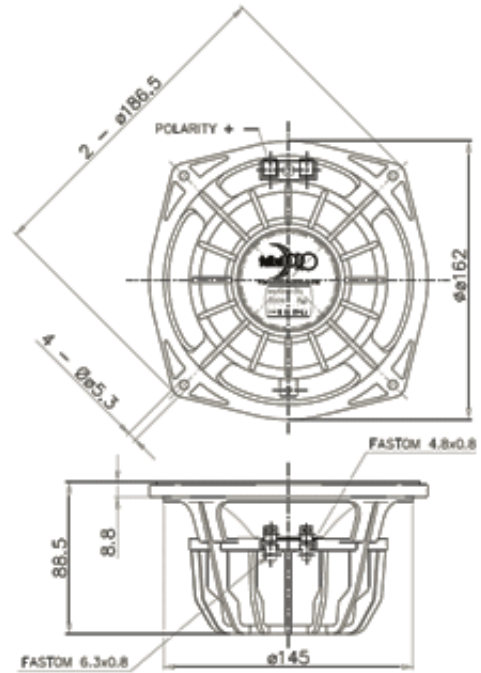




# 6PR150 Professional Series



## NOMINAL SPECIFICATIONS

Nominal Diameter	160 mm (6 in)
Overall Diameter	186.5/162 mm (7.34/6.37 in)
Bolt Circle Diameter	172 mm (6.77 in)
Baffle Cutout Diameter	147 mm (5.78 in)
Depth	87.2 mm (3.43 in)
Flange and Gasket Thickness	7.5 mm (0.29 in)
Net Weight	1.4 Kg (3.08 lb)
Shipping Box (Single Carton Box)	195x195x141 mm (7.68x7.68x5.55 in)
Shipping Weight	1.6 Kg (3.52 lb)

## ELECTRICAL SPECIFICATION

Nominal Impedance	8 Ohm
Minimum Impedance	6.6 Ohm
AES Power Handling *	150 W
Maximum Power Handling **	300 W
Sensitivity (1W/1m)	97 dB
Frequency Range	100÷5000 Hz
Voice Coil Diameter	52 mm (2 in)
Winding Material	Al
Former Material	Glass Fiber
Winding Depth	6.6 mm (0.26 in)
Magnetic Gap Depth	6 mm (0.24 in)
Flux Density	1.35 T
Magnet	Neodymium Ring
Demodulation	Aluminum Ring
Suspension ***	Half Roll

## THIELE & SMALL PARAMETERS

Fs	100 Hz
Re	5.5 Ohm
Qes	0.35
Qms	8.80
Qts	0.33
Vas	4.4 dm <sup>3</sup> (0.16 ft <sup>3</sup> )
Sd	129 cm <sup>2</sup> (20 in <sup>2</sup> )
Xmax ****	2.3 mm
Xdamage *****	11.6 mm
Mms	13.5 g
Bl	11.6 N/A
Le	0.28 mH
Mmd	12.7 g
Cms	0.19 mm/N
Rms	0.96 Kg/s
Eta Zero	1.24 %
EBP	285 Hz

## NOTES

Spider Profile: 1x constant height waves

(\*) 2 Hours Test According to AES 2-1984 Rev. 2003

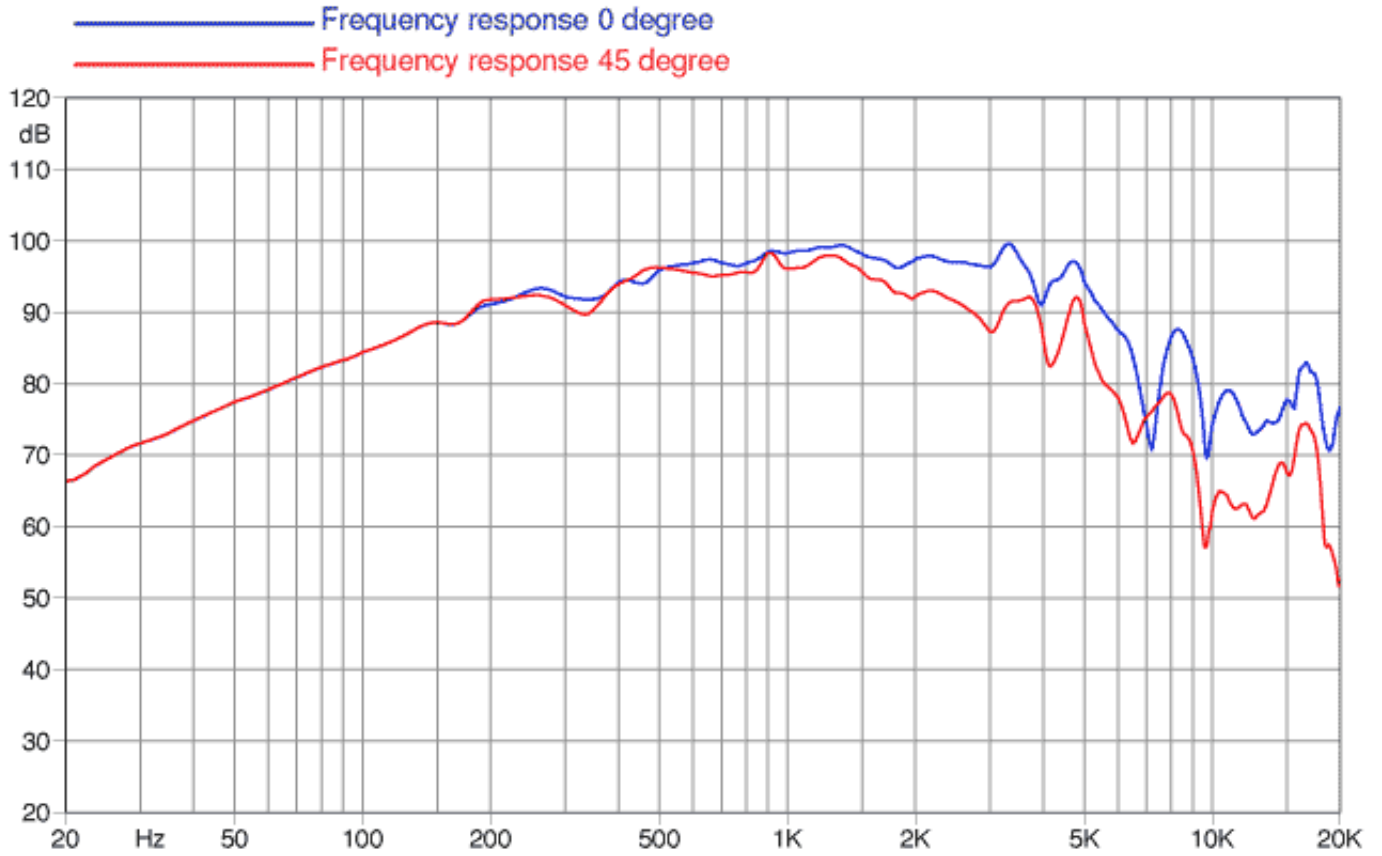
(\*\*) Maximum power is defined as 3dB greater than nominal power.

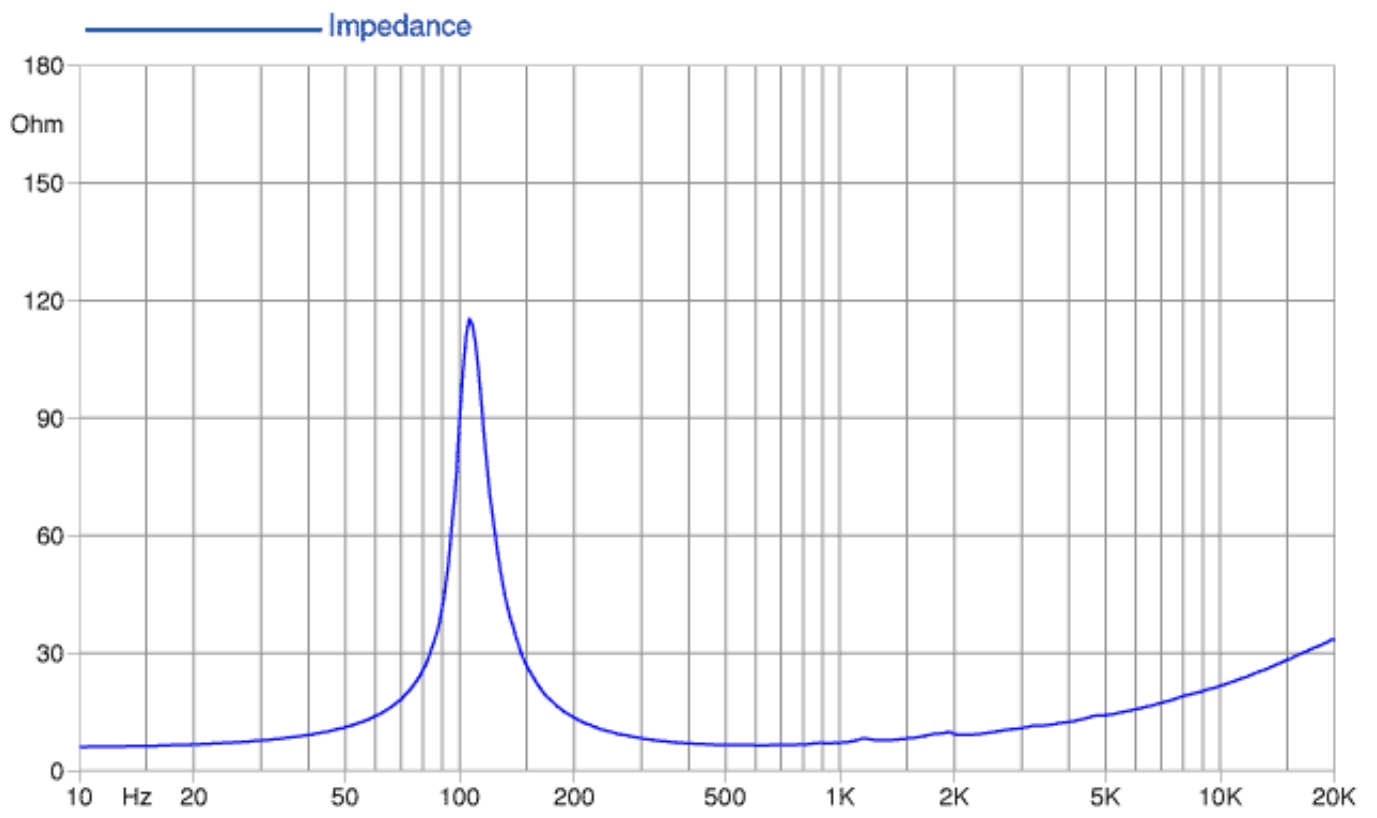
(\*\*\*) Treated Polycotton

(\*\*\*\*)  $X_{max} = [(winding\ depth - magnetic\ gap\ depth) / 2] + (magnetic\ gap\ depth / 3)$

(\*\*\*\*\*) Maximum excursion before permanent damage

## CURVES





©Copyright 2012 - Faisal S.p.A. Fabbrica Italiana Altoparlanti - All right reserved.