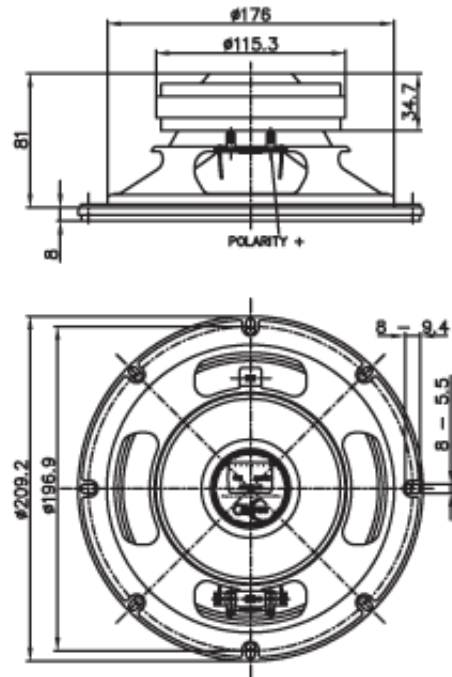




# 8FE200 Fe Series



## NOMINAL SPECIFICATIONS

Nominal Diameter	200 mm (8 in)
Overall Diameter	209.2 mm (8.24 in)
Bolt Circle Diameter	196.9 mm (7.75 in)
Baffle Cutout Diameter	178 mm (7.01 in)
Depth	89 mm (3.50 in)
Flange and Gasket Thickness	8 mm (0.31 in)
Net Weight	2.15 Kg (4.74 lb)
Shipping Box (Single Carton Box)	116x231x235 mm (4.57x9.09x9.25 in)
Shipping Weight	2.4 Kg (5.29 lb)

## ELECTRICAL SPECIFICATION

Nominal Impedance	8 Ohm
Minimum Impedance	6.8 Ohm
AES Power Handling *	130 W
Maximum Power Handling **	260 W
Sensitivity (1W/1m)	95 dB
Frequency Range	60÷5000 Hz
Voice Coil Diameter	37 mm (1.46 in)
Winding Material	Al
Former Material	Kapton
Winding Depth	12 mm (0.47 in)
Magnetic Gap Depth	8 mm (0.31 in)
Flux Density	1 T
Magnet	Ferrite Ring
Demodulation	No
Suspension ***	Triple Roll

## THIELE & SMALL PARAMETERS

Fs	80 Hz
Re	5.9 Ohm
Qes	0.66
Qms	13
Qts	0.63
Vas	13.6 dm <sup>3</sup> (0.48 ft <sup>3</sup> )
Sd	191 cm <sup>2</sup> (29.6 in <sup>2</sup> )
Xmax ****	4.67 mm
Xdamage *****	10.4 mm
Mms	15 g
Bl	8.2 N/A
Le	0.44 mH
Mmd	13.5 g
Cms	0.36 mm/N
Rms	0.6 Kg/s
Eta Zero	1.02 %
EBP	121 Hz

## NOTES

Spider Profile: 1x constant height waves

(\*) 2 Hours Test According to AES 2-1984 Rev. 2003

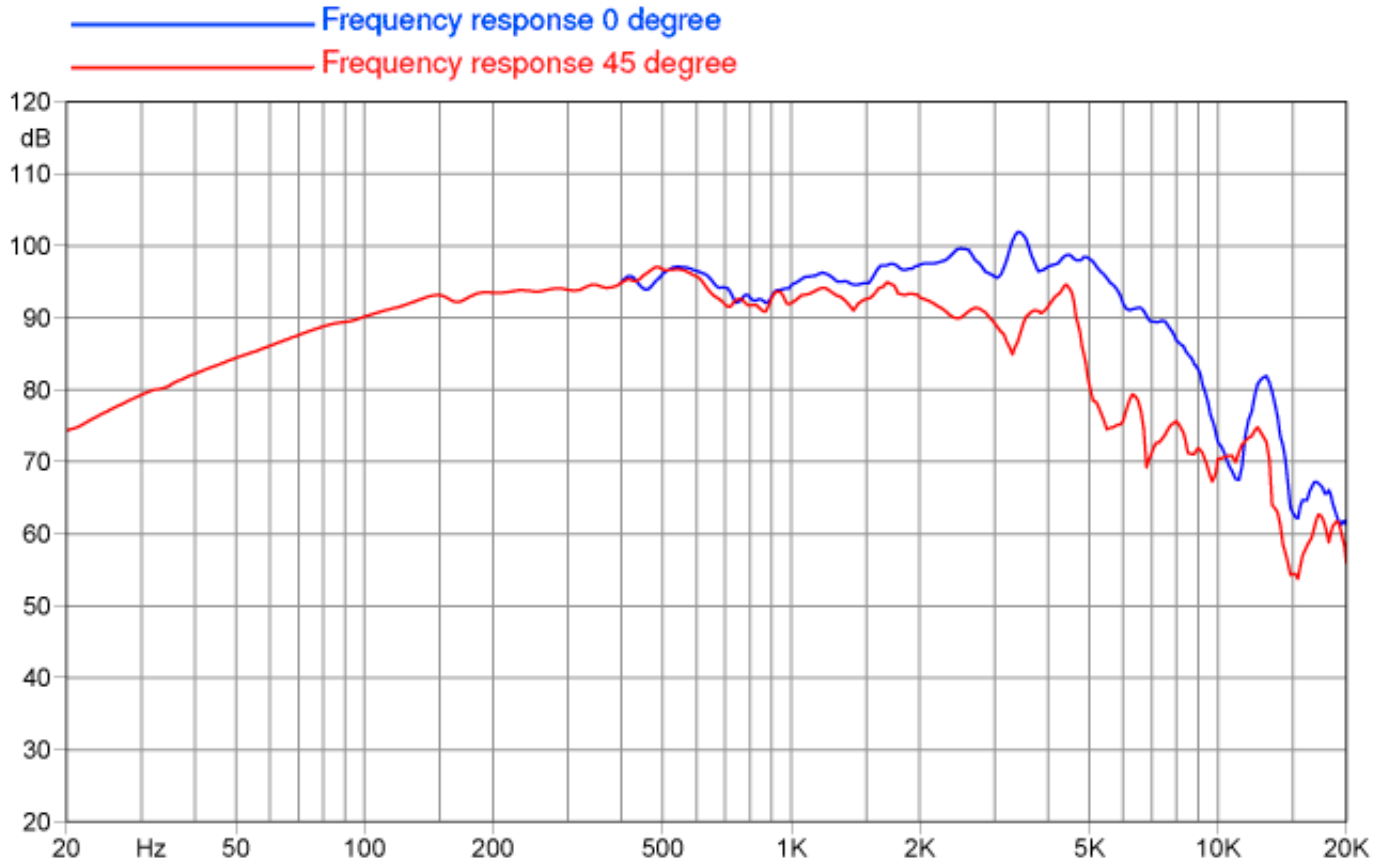
(\*\*) Maximum power is defined as 3dB greater than nominal power.

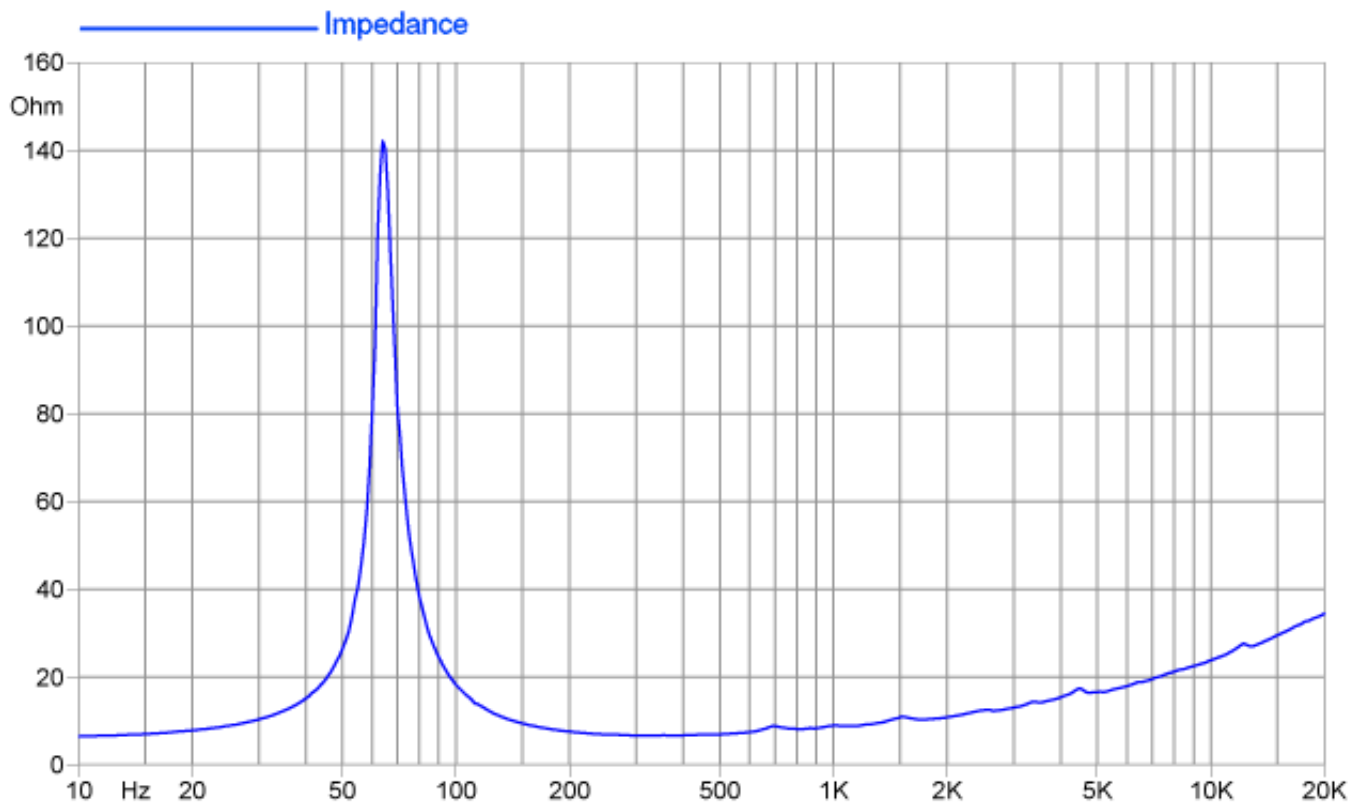
(\*\*\*) Treated Polycotton

(\*\*\*\*)  $X_{max} = [(winding\ depth - magnetic\ gap\ depth) / 2] + (magnetic\ gap\ depth / 3)$

(\*\*\*\*\*) Maximum excursion before permanent damage

## CURVES





©Copyright 2012 - Faisal S.p.A. Fabbrica Italiana Altoparlanti - All right reserved.