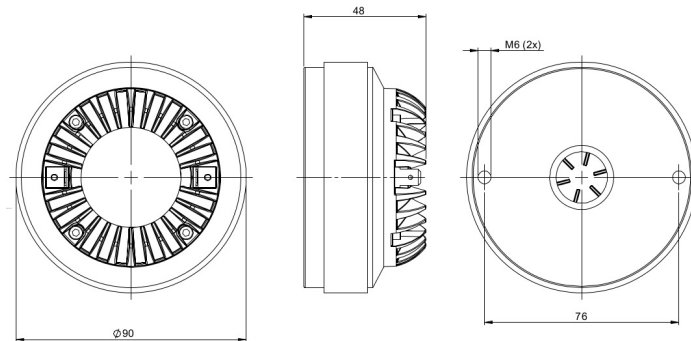


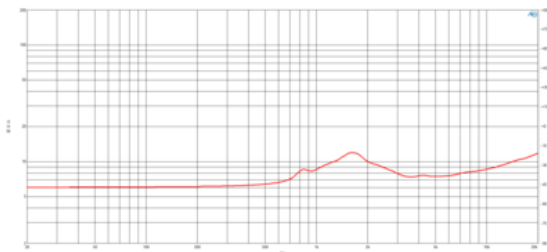
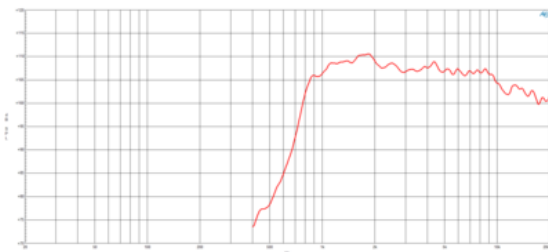
DE36

8Ω

HF Drivers - 1.0 Inches



- 70 W continuous program power capacity
- 1" horn throat diameter
- 38 mm (1.5 in) copper clad aluminum voice coil
- HT polymer diaphragm
- 1200 - 20000 Hz response
- 107.5 dB sensitivity



SPECIFICATIONS¹

Throat Diameter	25 mm (1.0 in)
Nominal Impedance	8 Ω
Minimum Impedance	7.2 Ω
Nominal Power Handling ²	35 W
Continuous Power Handling ³	70 W
Sensitivity ⁴	107.5 dB
Frequency Range	1.2 - 20.0 kHz
Recommended Crossover ⁵	1.8 kHz
Voice Coil Diameter	38 mm (1.5 in)
Winding Material	Copper Clad Aluminum
Inductance	0.05 mH
Diaphragm Material	HT Polymer
Flux Density	1.6 T
Magnet Material	Ferrite

MOUNTING AND SHIPPING INFO

Two M6 holes 180° on 76 mm (3 in) diameter	
Overall Diameter	90 mm (3.54 in)
Depth	48 mm (1.89 in)
Net Weight	1.1 kg (2.43 lb)

REPLACEMENT DIAPHRAGM

MMDDE368

1. Driver mounted on B&C ME 45 horn.
2. 2 hour test made with continuous pink noise signal within the range from the recommended crossover frequency to 20 kHz. Power calculated on rated nominal impedance.
3. Power on Continuous Program is defined as 3 dB greater than the Nominal rating.
4. Applied RMS Voltage is set to 2.83 V for 8 ohms Nominal Impedance.
5. 12 dB/oct. or higher slope high-pass filter.