



HF201

2" - 100 W - 108 dB

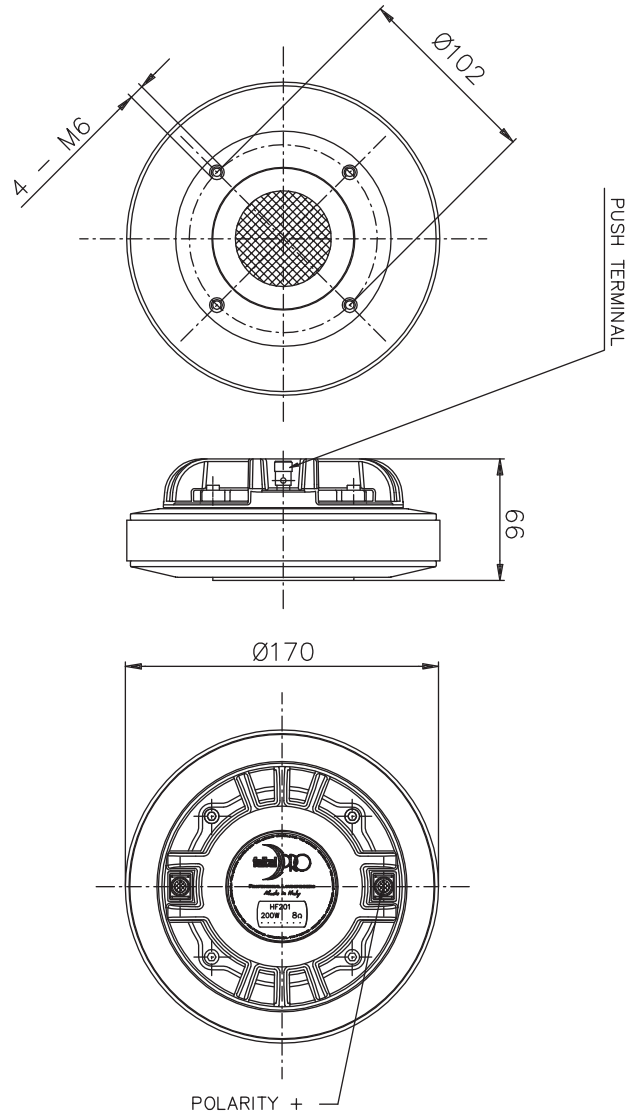


NOMINAL SPECIFICATIONS

Throat Diameter	50.8 mm (2 in)
Overall Diameter	170 mm (6.69 in)
90° Mounting Holes Diameter (4xM6)	102 mm (4.02 in)
Depth	66 mm (2.60 in)
Net Weight	4.6 kg (10.2 lb)
Shipping Box	195 x 195 x 141 mm
(Single Carton Box)	(7.7 x 7.7 x 5.6 in)
Shipping Weight	4.8 kg (10.6 lb)

TECHNICAL PARAMETERS

Nominal Impedance	8 Ω
Minimum Impedance	7.2 Ω
AES Power above 0.9 kHz (1)	100 W
AES Power above 0.65 kHz (1)	50 W
Maximum Power above 0.9 kHz (2)	200 W
Maximum Power above 0.65 kHz (4)	100 W
Minimum Crossover Frequency (3)	0.9 kHz
Sensitivity (1W/1m) (4)	108 dB
Frequency Range	0.5 ÷ 18 kHz
Voice Coil Diameter	74 mm (2.91 in)
Winding Material	Al
Former Material	Kapton
Diaphragm Material	Titanium
Diaphragm Shape	Dome
Winding Depth	2.35 mm (0.09 in)
Magnetic Gap Depth	3.2 mm (0.13 in)
Flux Density	1.7 T
Magnet	Ferrite Ring
Re	5.6 Ω
Phase Plug Design	Annular
NET Air Volume filled by HF Driver	1.05 dm ³ (0.037 ft ³)



NOTE: Driver Mounted on a 2" 90° x 40° Al horn

- (1) 2 Hours Test According to AES 2-1984 Rev. 2003
- (2) Maximum power is defined as 3 dB greater than nominal power.
- (3) 12 dB/oct or higher slope high-pass filter.
- (4) Averaged within the frequency range.

