

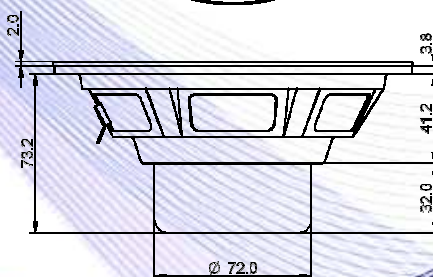
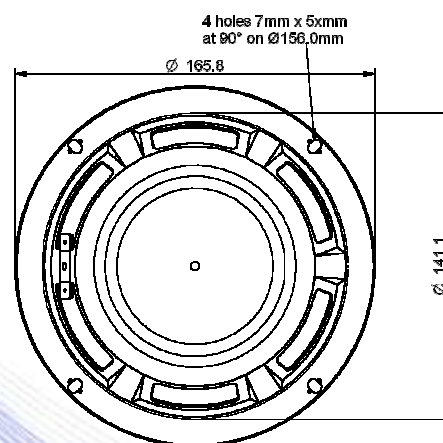
- 1.5" voice coil Kapton former.
- Rubber surround with DAR technology.
- Ventilated voice coil to reduce power compression.
- 90.8 dB sensitivity.



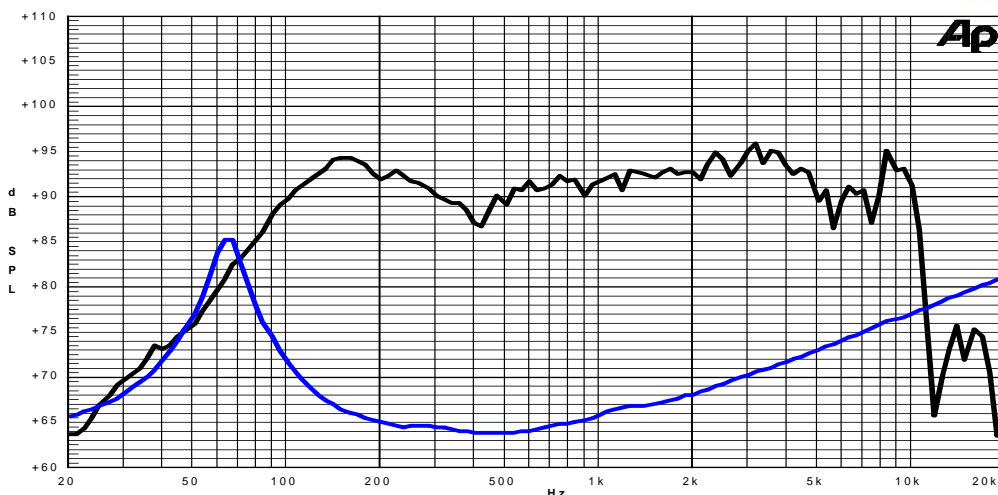
Specifications	
Nominal Diameter	164mm (6")
Nominal Impedance	4Ω
Rated Power AES ⁽¹⁾	100W
Continuous Program Power ⁽²⁾	200W
Sensitivity @ 1W/1m ⁽³⁾	90.8dB
Voice Coil Diameter	38mm (1,5")
Voice Coil Winding Depth	11mm
Magnetic Gap Depth	6mm
Flux Density	1.14T
Magnet Weight	98g
Net Weight	0.9kg

Thiele & Small Parameters ⁽⁴⁾			
Re	3.09Ω	Fs	64.3Hz
Qms	4.86	Qes	0.44
Qts	0.40	Mms	13.7g
Cms	448μm/N	Bxl	6.25Tm
Vas	9.5l	Sd	122.7cm ²
X max ⁽⁵⁾	+/-2.5mm	X var ⁽⁶⁾	+/-4.3mm
η ₀	0.56%	Le (1kHz)	0.35mH

Constructive Characteristics	
Magnet	: Neodymium
Basket Material	: Pressed Sheet Steel
Voice Coil Winding Material	: Copper
Voice Coil Former Material	: Kapton
Cone Material	: Paper
Cone Treatment	: No
Surround Material	: Rubber
Dust Dome Material	: Paper Ogive



Frequency Response on IEC Baffle (DIN 45575) @ 1W,1m – Free Air Impedance



- Note:
- 1 : Rated Power measured with 2 hours test with pink noise signal, 6dB crest factor, loudspeaker mounted on enclosure
 - 2: Power on Continuous Program is defined as 3 dB greater than the Rated Power
 - 3: Calculated by Thiele & Small parameters
 - 4: Thiele & Small parameters measured with laser system without preconditioning test
 - 5: Measured with respect to a THD of 10% using a parameter-based method
 - 6: Value corresponding to a decay of the Force Factor, or Compliance, or both, equal to the 50% of the small signal value.
 - 7: Drawing dimensions: mm
 - 8: The notch around 400Hz on the frequency response is typical of the measurement on IEC baffle