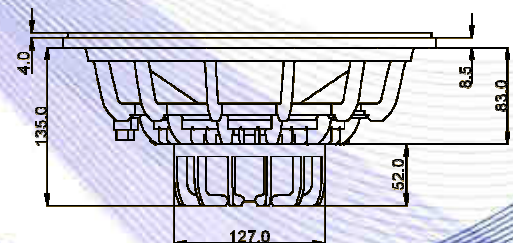
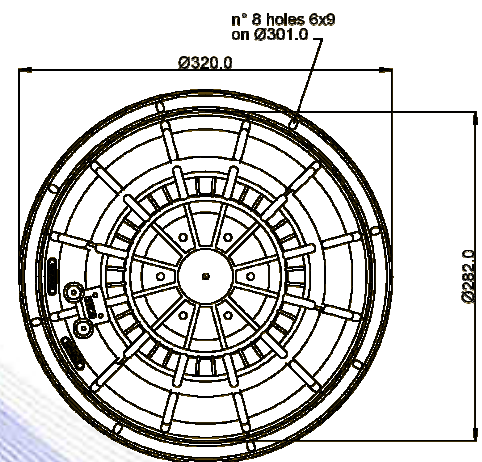


- 3" sandwich voice coil Kapton former and aluminium winding
- Progressive wave Konex spider DCS technology
- Cloth surround with DAR technology
- Autoclave waterproof cone treatment
- Neodymium magnet circuit with copper ring
- Ventilated magnet and voice coil to reduce power compression
- 97.4 dB sensitivity

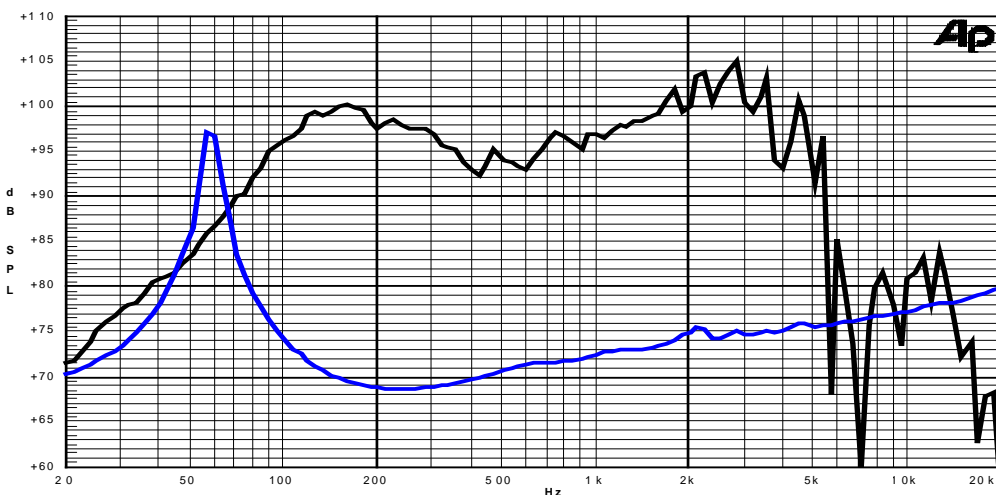
| Specifications | |
|---|-------------|
| Nominal Diameter | 320mm (12") |
| Nominal Impedance | 8Ω |
| Rated Power AES ⁽¹⁾ | 350W |
| Continuous Program Power ⁽²⁾ | 700W |
| Sensitivity @ 1W/1m ⁽³⁾ | 97.0dB |
| Voice Coil Diameter | 75mm (3") |
| Voice Coil Winding Depth | 20mm |
| Magnetic Gap Depth | 10mm |
| Flux Density | 1.21T |
| Magnet Weight | 360g |
| Net Weight | 3.1kg |

| Thiele & Small Parameters ⁽⁴⁾ | | | |
|--|----------|----------------------|----------------------|
| Re | 5.10Ω | Fs | 55.0Hz |
| Qms | 12.65 | Qes | 0.44 |
| Qts | 0.42 | Mms | 58.4g |
| Cms | 143μm/N | Bxl | 15.40Tm |
| Vas | 56.9l | Sd | 530.9cm ² |
| X max ⁽⁵⁾ | +/-6.0mm | X var ⁽⁶⁾ | +/-9.5mm |
| η ₀ | 2.10% | Le (1kHz) | 0.60mH |

| Constructive Characteristics | |
|------------------------------|---------------------------|
| Magnet | : Neodymium |
| Basket Material | : Aluminium Die-Cast |
| Voice Coil Winding Material | : Aluminium |
| Voice Coil Former Material | : Kapton |
| Cone Material | : Paper |
| Cone Treatment | : Humidity Resistant Pulp |
| Surround Material | : Treated Cloth |
| Dust Dome Material | : Solid Paper |



Frequency Response on IEC Baffle (DIN 45575) @ 1W,1m – Free Air Impedance



- Note:
- 1 : Rated Power measured with 2 hours test with pink noise signal, 6dB crest factor, loudspeaker mounted on enclosure
 - 2: Power on Continuous Program is defined as 3 dB greater than the Rated Power
 - 3: Calculated by Thiele & Small parameters
 - 4: Thiele & Small parameters measured with laser system without preconditioning test
 - 5: Measured with respect to a THD of 10% using a parameter-based method
 - 6: Value corresponding to a decay of the Force Factor, or Compliance, or both, equal to the 50% of the small signal value.
 - 7: Drawing dimensions: mm
 - 8: The notch around 400Hz on the frequency response is typical of the measurement on IEC baffle

Due to continuing product improvement, the features and the design are subject to change without notice.

20/11/1206/06/12