

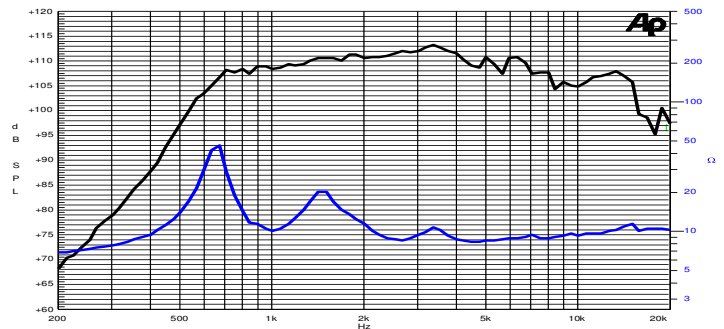
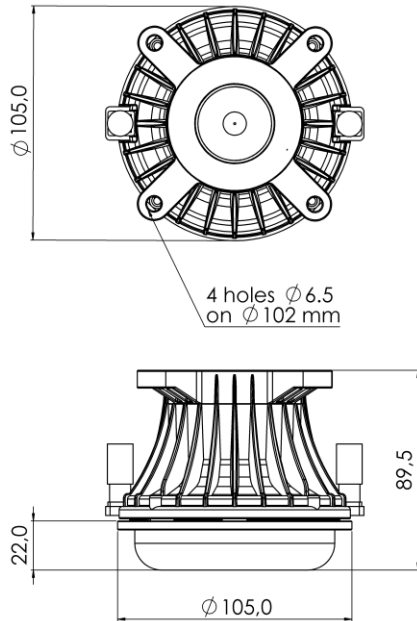
CD 105.65/N220 8Ω

Compression Driver

2,5" | 160 W

Code Z009497

- AIFW** 2,5" voice coil Kapton former and Aluminium Flat Wire
- TD** Titanium diaphragm
- CDR** Neodymium Magnet Circuit with Copper Demodulating Ring
- 1,4" horn throath diameter
- 108.8 dB sensitivity



Free Air Frequency Response with 6x8,5 inches horn @ 1W, 1m Impedance (without horn)

General Specifications

Nominal Diameter	105 mm
Nominal Impedance	8 Ω
Rated Power AES ⁽¹⁾ (1500 – 20000 Hz)	80 W
Continuous Program Power ⁽²⁾	160 W
Sensitivity @ 1W/1m ⁽³⁾	108.8 dB
Voice Coil Diameter	65 mm (2,5")
Voice Coil Winding Depth	3.0 mm
Magnetic Gap Depth	3.0 mm
Flux Density	1.93 T
DC Resistance	6.0 Ω
Resonance Frequency	0.65 kHz
Magnet Weight	220 g
Net Weight	1.3 kg
Recommended Crossover Frequency	1.2 kHz
Throat Diameter	35.5 mm / 1.4 in

Constructive Characteristics

Magnet	Neodymium
Voice Coil Winding Material	Aluminium Flat Wire
Voice Coil Former Material	Kapton
Diaphragm	Titanium
Ferrofluid in Air Gap	No
Spare Part Code	Z009399

Mounting Information

Overall Diameter	105 mm
Mounting Holes	4 holes ø6,5 on ø102 mm
Total Depth	88.7 mm

(1) Rated Power measured with 2-hour test with pink noise signal, 6dB crest factor, driver coupled to the recommended horn. (2) Power on Continuous Program is defined as 3dB greater than the Rated Power. (3) Measured at 1W, 1m in axis within the frequency range, driver coupled to the recommended horn