

6" - 160W Dual Cone Loudspeaker

LP 165.38/ 426 TK ER 8 Ω

Code Z004002

GENERAL CHARACTERISTICS

Nominal Overall Diameter	165	mm
Nominal Voice Coil Diameter	38	mm
Magnet Weight	426	g
Flux Density.....	0.95	T
Weight.....	1.40	Kg

THIELE-SMALL PARAMETERS

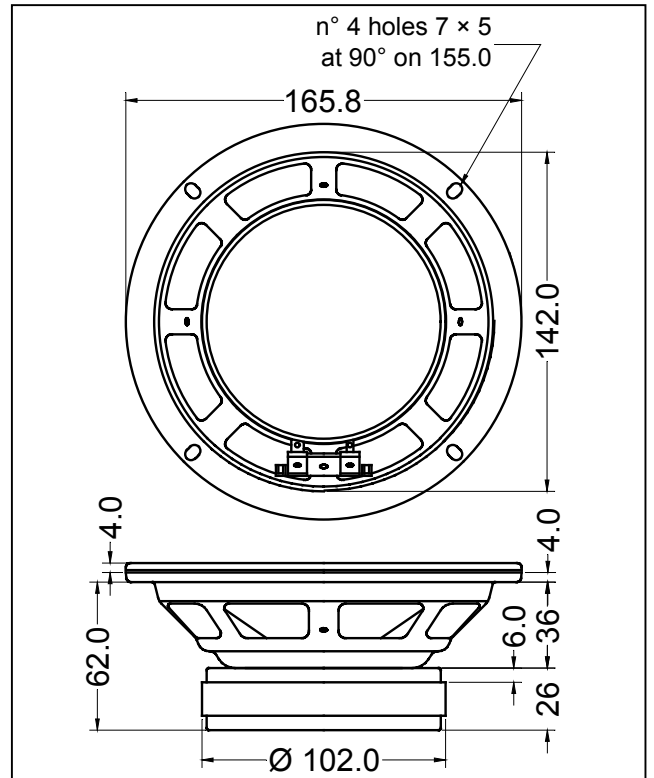
Voice Coil DC Resistance	R_E	5.28	Ω
Resonance Frequency	f_s	78.8	Hz
Mechanical Q Factor.....	Q_{MS}	1.43	
Electrical Q Factor.....	Q_{ES}	0.59	
Total Q Factor	Q_{TS}	0.42	
Mechanical Moving Mass	M_{MS}	12.7	g
Mechanical Compliance	C_{MS}	323	μm/N
Force Factor	$B \times l$	7.46	Wb/m
Equivalent Acoustic Volume.....	V_{AS}	6.9	lt.
Maximum Linear Displacement	X_{MAX}	+/-1.5	mm
Reference Efficiency	η_0	0.54	%
Diaphragm Area	S_D	122.7	cm ²
Losses Electrical Resistance.....	R_{ES}	12.7	Ω
Voice Coil Inductance @ 1kHz	L_E	0.25	mH

CONSTRUCTIVE CHARACTERISTICS

Magnet.....	Ferrite
Voice Coil Winding.....	Copper
Voice Coil Former.....	Aluminium
Cone	Paper
Surround.....	Treated Cloth
Dust Dome	Dual-Cone
Basket	Pressed Sheet Steel

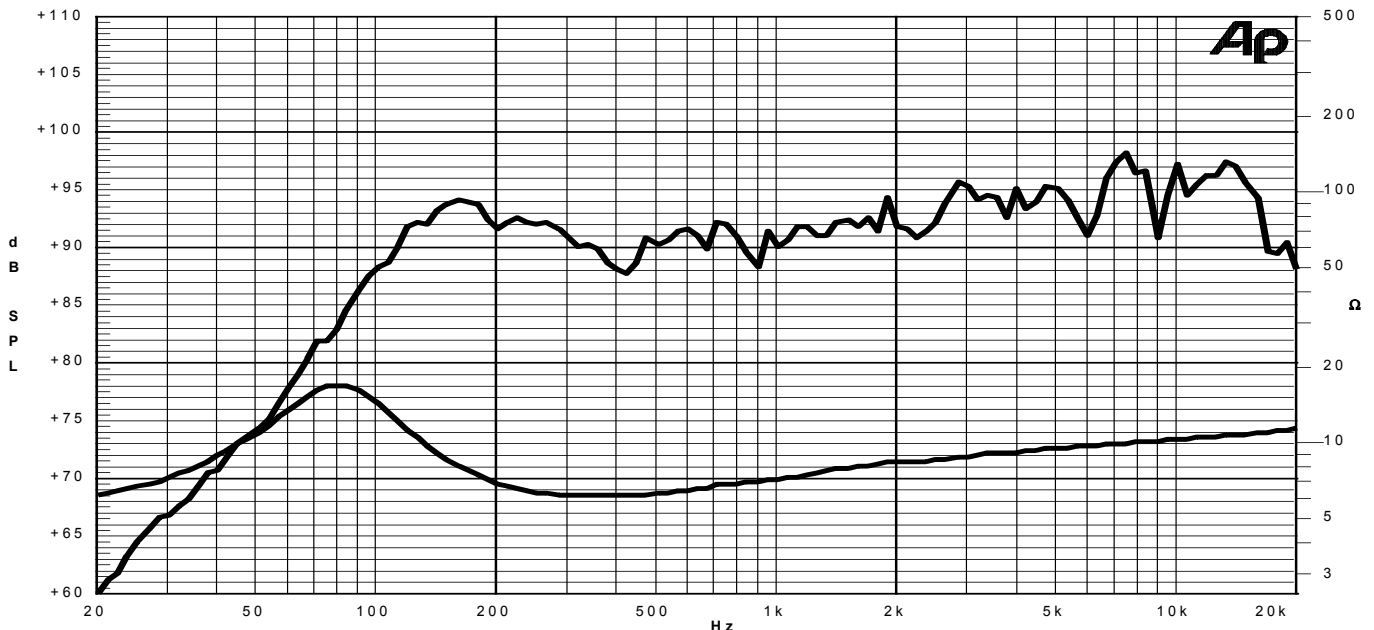
ELECTRICAL CHARACTERISTICS

Nominal Impedance.....	8	Ω
Musical Power	160	W
Rated Power*	80	W
Sensitivity @ 1 W, 1 m	91.4	dB



*rated power measured with 2 hours test with pink noise signal, 6 dB crest factor, loudspeaker mounted on enclosure
Thiele-Small parameters measured with LASER system

Frequency Response on IEC Baffle (DIN 45575) @ 1 W, 1 m - Impedance



Due to continuing product improvement, the features and the design are subject to change without notice.

20/07/11