

1" - 100W Dome Tweeter

LP 85.25/95 TW 4 Ω

Code Z009050

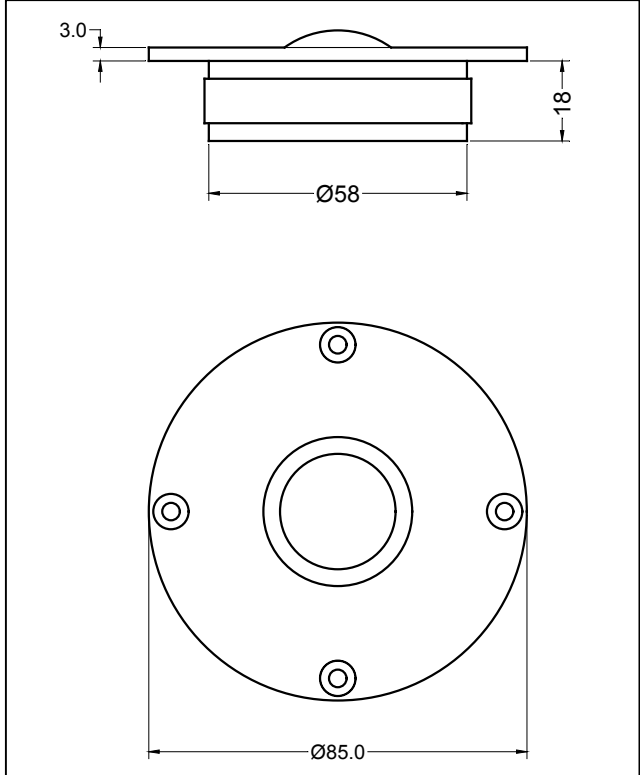
GENERAL CHARACTERISTICS		
Nominal Overall Diameter	85	mm
Nominal Voice Coil Diameter	25	mm
Magnet Weight	95	g
Flux Density.....	1.06	T
Weight.....	0.26	Kg

THIELE-SMALL PARAMETERS		
Voice Coil DC Resistance	R_E	3.20 Ω
Resonance Frequency	f_s	1000 Hz

CONSTRUCTIVE CHARACTERISTICS	
Magnet.....	Ferrite
Voice Coil Winding.....	Copper
Voice Coil Former.....	Aluminium
Voice Coil Winding Height.....	1.8 mm
Dome Material.....	Treated Silk
Flange	ABS
Air Gap Height.....	3 mm
Ferrofluid in Air Gap	Yes

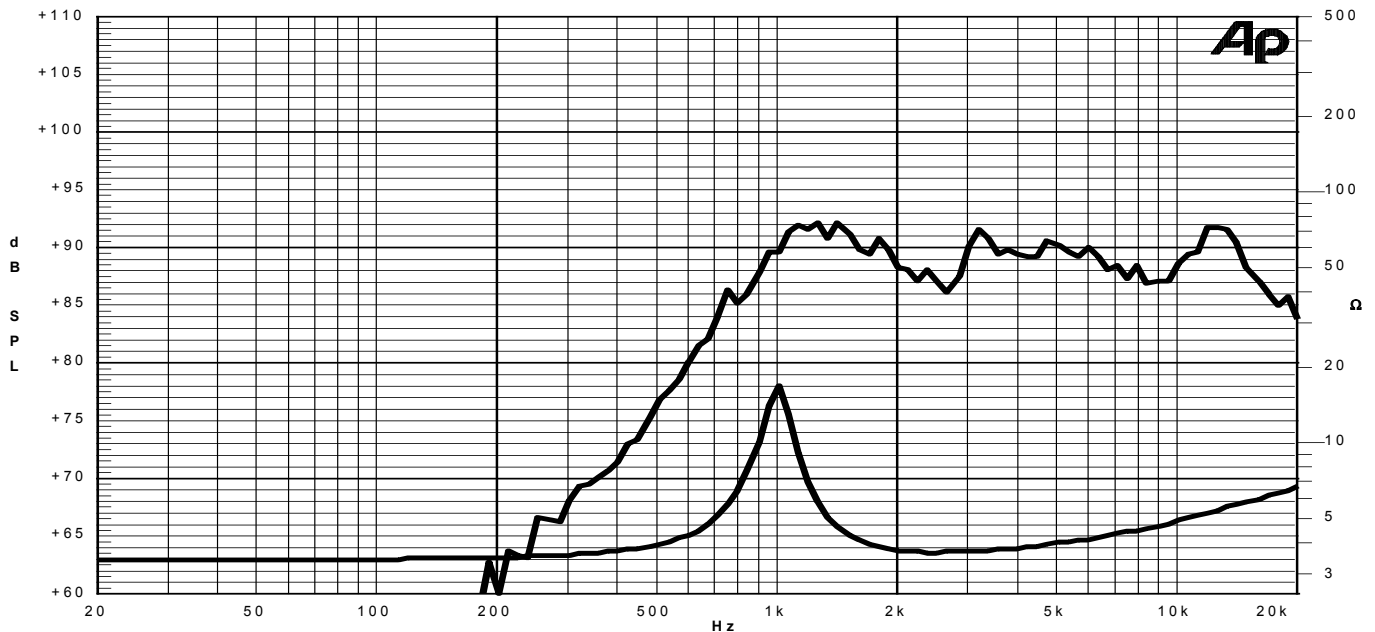
NOTES

ELECTRICAL CHARACTERISTICS		
Nominal Impedance.....	4	Ω
Musical Power	100	W
Rated Power*	50	W
Sensitivity @ 1 W, 1 m	88.8	dB



*rated power measured with 2 hours test with continuous pink noise signal, 6 dB crest factor, HP filter 4.5kHz-12dB/Oct

Frequency Response on IEC Baffle (DIN 45575) @ 1 W, 1 m - Impedance



Due to continuing product improvement, the features and the design are subject to change without notice.

08/09/05