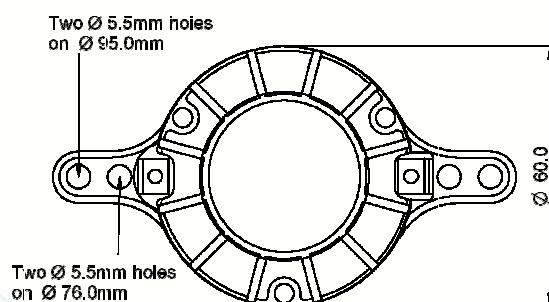


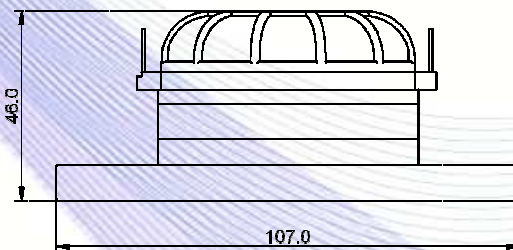
- 1.5" voice coil Kapton former and flat aluminium wire
- 1" horn throat diameter
- PEI diaphragm
- Neodymium magnet circuit
- 107.9 dB sensitivity



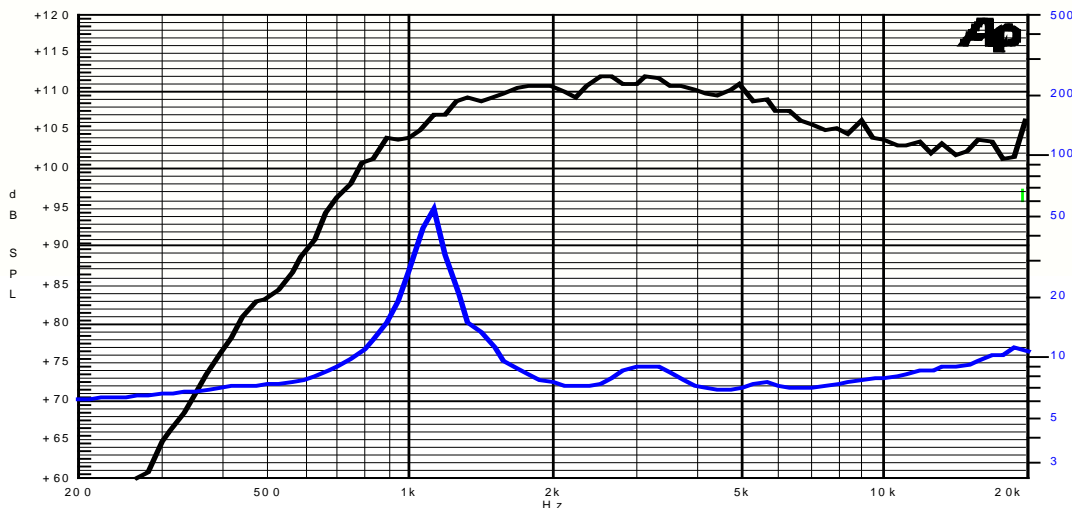
Specifications	
Nominal Diameter	60mm
Nominal Impedance	8Ω
Rated Power AES ⁽¹⁾ (1800 - 20000 Hz)	30W
Continuous Program Power ⁽²⁾	60W
Sensitivity @ 1W/1m ⁽³⁾	107.9dB
Voice Coil Diameter	38mm (1")
Voice Coil Winding Depth	2.5mm
Magnetic Gap Depth	2.5mm
Flux Density	1.85T
DC Resistance	6.00Ω
Resonance Frequency	1.1kHz
Magnet Weight	92g
Net Weight	0.4kg
Recommended Crossover Frequency	2.0kHz
Throat Diameter	25.4mm (1")



Constructive Characteristics	
Magnet	: Neodymium
Voice Coil Winding Material	: Aluminium Flat Wire
Voice Coil Former Material	: Kapton
Diaphragm	: PEI
Ferrofluid in Air Gap	: No
Spare Part Code	: Z009390



Free Air Frequency Response with 6x11 inches horn @ 1W,1m – Impedance (without horn)



- Note:
- 1 : Rated Power measured with 2 hours test with pink noise signal, 6dB crest factor, loudspeaker mounted on enclosure
 - 2: Power on Continuous Program is defined as 3 dB greater than the Rated Power
 - 3: Measured at 1W,1m in axis within the frequency range
 - 4: Drawing dimensions: mm