

8" - 50W Vintage Ceramic Loudspeaker

C 8 R - 4 Ω

Code ZJ04030

GENERAL CHARACTERISTICS

Nominal Overall Diameter	207	mm
Nominal Voice Coil Diameter	25	mm
Magnet Weight	280	g
Flux Density.....	1.00	T
Weight	0.98	Kg

THIELE-SMALL PARAMETERS

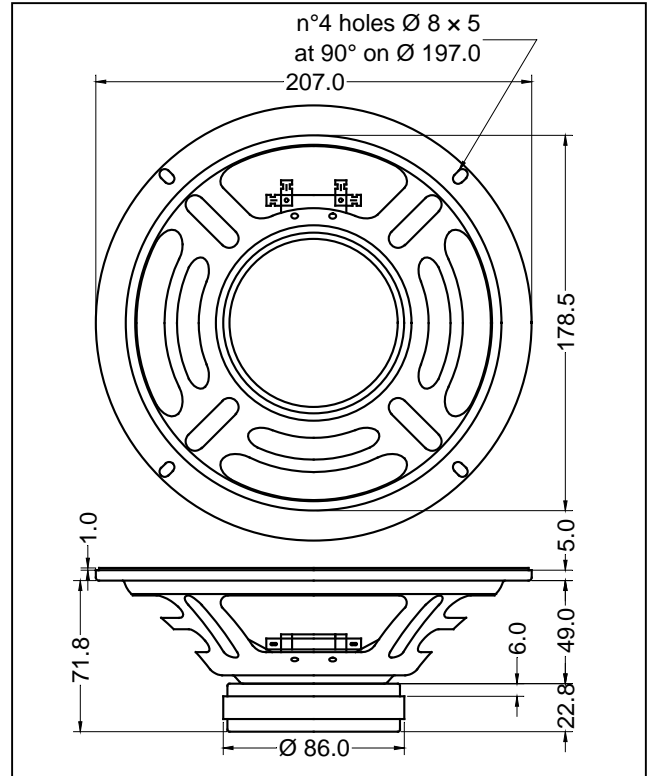
Voice Coil DC Resistance	R_E	3.05	Ω
Resonance Frequency	f_s	131.0	Hz
Mechanical Q Factor.....	Q_{MS}	9.50	
Electrical Q Factor.....	Q_{ES}	1.99	
Total Q Factor	Q_{TS}	1.64	
Mechanical Moving Mass	M_{MS}	9.0	g
Mechanical Compliance	C_{MS}	164	μm/N
Force Factor	$B \times l$	3.37	Wb/m
Equivalent Acoustic Volume.....	V_{AS}	10.6	lt.
Maximum Linear Displacement	X_{MAX}	+/-1.0	mm
Reference Efficiency	η_0	1.14	%
Diaphragm Area	S_D	213.8	cm ²
Losses Electrical Resistance.....	R_{ES}	13.8	Ω
Voice Coil Inductance @ 1kHz	L_E	0.22	mH

CONSTRUCTIVE CHARACTERISTICS

Magnet	Ferrite
Voice Coil Winding.....	Copper
Voice Coil Former.....	Kapton
Cone	Paper
Surround.....	Paper - Integrated
Dust Dome	Solid Paper
Basket	Pressed Sheet Steel

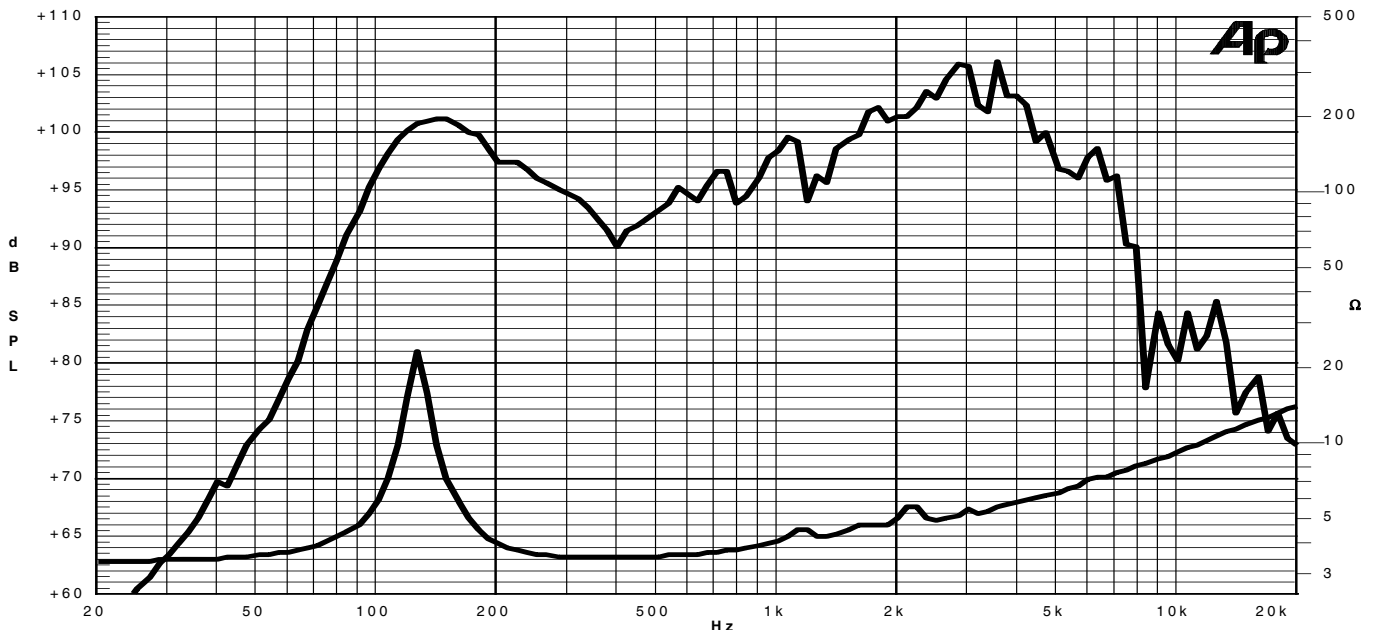
ELECTRICAL CHARACTERISTICS

Nominal Impedance.....	4	Ω
Musical Power	50	W
Rated Power*	25	W
Sensitivity @ 1 W, 1 m	94.0	dB



*rated power measured with 2 hours test with pink noise signal, 6 dB crest factor, loudspeaker mounted on enclosure
Thiele-Small parameters measured with LASER system

Frequency Response on IEC Baffle (DIN 45575) @ 1 W, 1 m - Free Air Impedance



Due to continuing product improvement, the features and the design are subject to change without notice.

16/05/14