

# Jensen®

loudspeakers

# Vintage AlNiCo

P 10 Q 8Ω  
Code ZJ05110  
10" 40W

LOWS:  
Loose

MIDS:  
Firm

HIGHS:  
Bright

OVERDRIVE:  
Crunchy

## Sound Features:

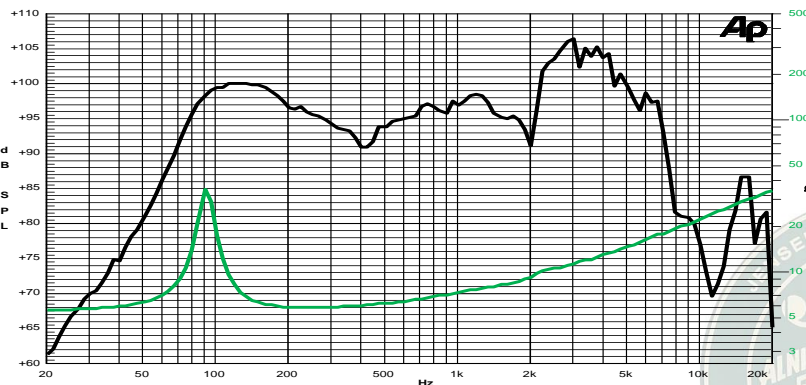
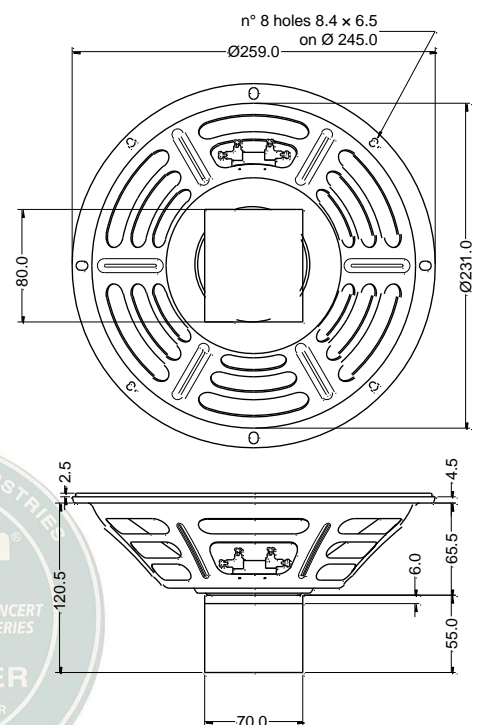
### Guitarist Description:

Warm tone with some bite in the mid frequencies which translates into a fierce response to overdrive distortion.

Specifications	
Nominal Diameter	259 mm (10")
Nominal Impedance	8 Ω
Rated Power AES <sup>(1)</sup>	40 W
Continuous Program Power <sup>(2)</sup>	80 W
Sensitivity @ 1W/1m	93.8 dB
Voice Coil Diameter	32 mm
Voice Coil Winding Depth	8 mm
Magnetic Gap Depth	6 mm
Flux Density	1.05 T
Magnet Weight	300 g
Net Weight	1.6 kg

Thiele & Small Parameters <sup>(3)</sup>			
Re	5.57 Ω	Fs	89.9 Hz
Qms	9.96	Mms	19.7 g
Qts	1.44	Bxl	6.07 Tm
Cms	159 μm/N	Sd	330.1 cm <sup>2</sup>
Vas	24.4 l	Le (1kHz)	0.52 mH

Constructive Characteristics	
Magnet	AlNiCo
Basket Material	Pressed Sheet Steel
Voice Coil Winding Material	Copper
Voice Coil Former Material	Nomex
Cone Material	Paper
Surround Treatment	No
Surround Material	Paper - Integrated
Dust Dome Material	Solid Paper



- Note:
- 1: Rated Power measured with 2 hours test with pink noise signal, 6dB crest factor, loudspeaker mounted on enclosure
  - 2: Power on Continuous Program is defined as 3 dB greater than the Rated Power
  - 3: Thiele & Small parameters measured with laser system without preconditioning test
  - 4: Drawing dimensions: mm
  - 5: The notch around 400Hz on the frequency response is typical of the measurement on IEC baffle

