

LOWS:
Loose

MIDS:
Aggressive

HIGHS:
Bright

OVERDRIVE:
Crunchy

Sound Features:

Guitarist Description:

Smooth and straightforward, full bodied tone with high frequency chime. It responds to overdrive distortion with powerful mid-bite.

Specifications

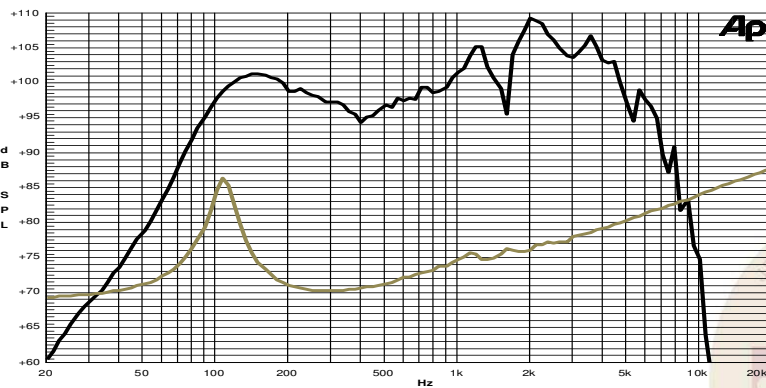
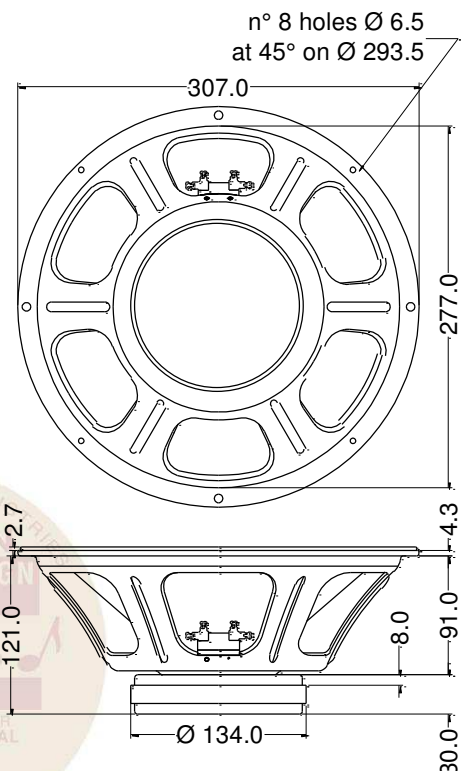
| | |
|---|--------------|
| Nominal Diameter | 307 mm (12") |
| Nominal Impedance | 8 Ω |
| Rated Power AES ⁽¹⁾ | 50 W |
| Continuous Program Power ⁽²⁾ | 100 W |
| Sensitivity @ 1W/1m | 97.7 dB |
| Voice Coil Diameter | 38 mm |
| Voice Coil Winding Depth | 10 mm |
| Magnetic Gap Depth | 8 mm |
| Flux Density | 1.15 T |
| Magnet Weight | 810 g |
| Net Weight | 3.3 kg |

Thiele & Small Parameters⁽³⁾

| | | | |
|-----|---------|-----------|-----------------------|
| Re | 6.05 Ω | Fs | 113.0 Hz |
| Qms | 7.52 | Mms | 29.9 g |
| Qts | 1.02 | Bxl | 10.46 Tm |
| Cms | 66 μm/N | Sd | 490.9 cm ² |
| Vas | 22.6 l | Le (1kHz) | 0.90 mH |

Constructive Characteristics

| | |
|-----------------------------|---------------------|
| Magnet | Ferrite |
| Basket Material | Pressed Sheet Steel |
| Voice Coil Winding Material | Copper |
| Voice Coil Former Material | Kapton |
| Cone Material | Paper |
| Surround Treatment | No |
| Surround Material | Paper - Integrated |
| Dust Dome Material | Solid Paper |



Note:

- 1: Rated Power measured with 2 hours test with pink noise signal, 6dB crest factor, loudspeaker mounted on enclosure
- 2: Power on Continuous Program is defined as 3 dB greater than the Rated Power
- 3: Thiele & Small parameters measured with laser system without preconditioning test
- 4: Drawing dimensions: mm
- 5: The notch around 400Hz on the frequency response is typical of the measurement on IEC baffle

