

# Jensen®

loudspeakers

# Vintage AlNiCo

**P 6 V 4Ω**  
**Code ZJ0304I**  
**6,5" 20W**

**LOWS:**  
Tight

**MIDS:**  
Firm

**HIGHS:**  
Bright

**OVERDRIVE:**  
Edgy

## Sound Features:

### Guitarist Description:

Warm clean tone with sparkling highs. It responds to overdrive distortion with a gritty bite.

### Specifications

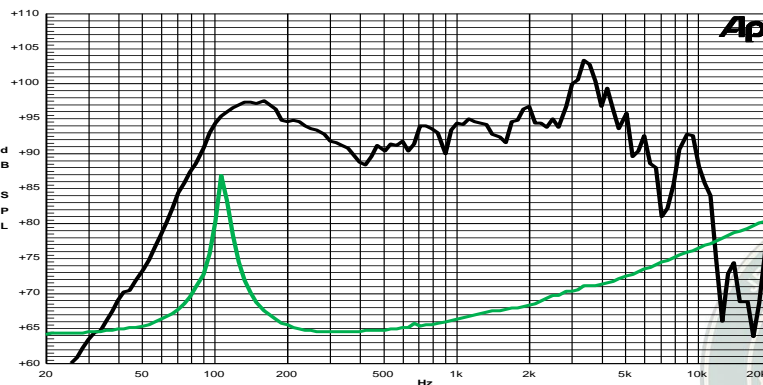
Nominal Diameter	165 mm (6,5")
Nominal Impedance	4 Ω
Rated Power AES <sup>(1)</sup>	20 W
Continuous Program Power <sup>(2)</sup>	40 W
Sensitivity @ 1W/1m	91.2 dB
Voice Coil Diameter	25 mm
Voice Coil Winding Depth	7 mm
Magnetic Gap Depth	5 mm
Flux Density	1.00 T
Magnet Weight	118 g
Net Weight	0.7 kg

### Thiele & Small Parameters <sup>(3)</sup>

Re	3.34 Ω	Fs	113.5 Hz
Qms	14.14	Mms	7.7 g
Qts	1.07	Bxl	3.98 Tm
Cms	256 μm/N	Sd	122.7 cm <sup>2</sup>
Vas	5.5 l	Le (1kHz)	0.32 mH

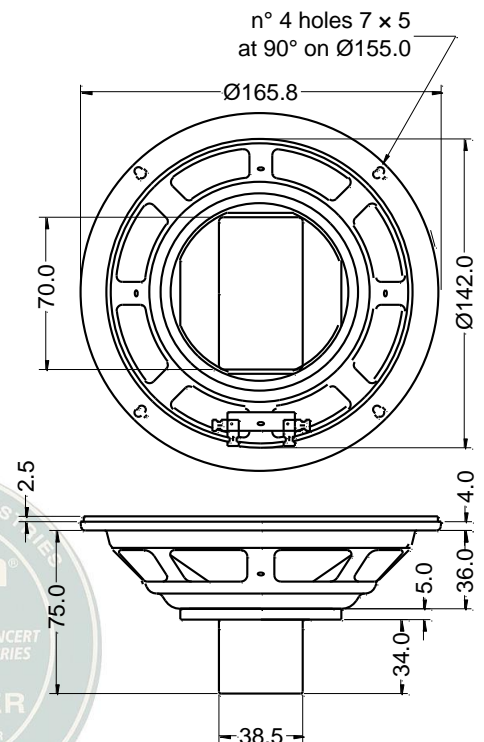
### Constructive Characteristics

Magnet	AlNiCo
Basket Material	Pressed Sheet Steel
Voice Coil Winding Material	Copper
Voice Coil Former Material	Epotex
Cone Material	Paper
Surround Treatment	Yes
Surround Material	Paper - Integrated
Dust Dome Material	Non Treated Cloth



**Note:**

- 1: Rated Power measured with 2 hours test with pink noise signal, 6dB crest factor, loudspeaker mounted on enclosure
- 2: Power on Continuous Program is defined as 3 dB greater than the Rated Power
- 3: Thiele & Small parameters measured with laser system without preconditioning test
- 4: Drawing dimensions: mm
- 5: The notch around 400Hz on the frequency response is typical of the measurement on IEC baffle



21/09/17