

LOWS:
Tight

MIDS:
Firm

HIGHS:
Smooth

OVERDRIVE:
Crunchy

Sound Features:

Guitarist Description:

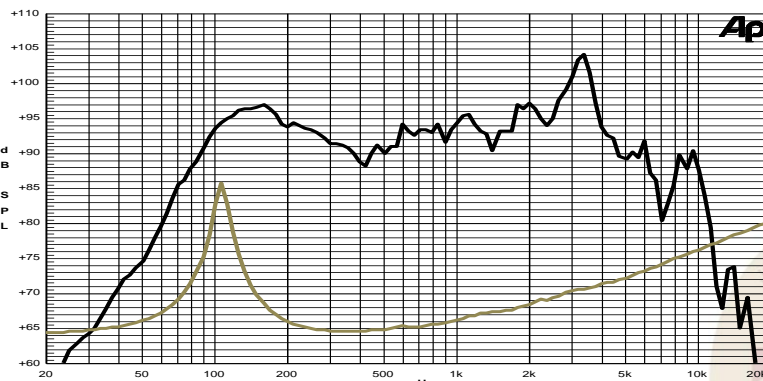
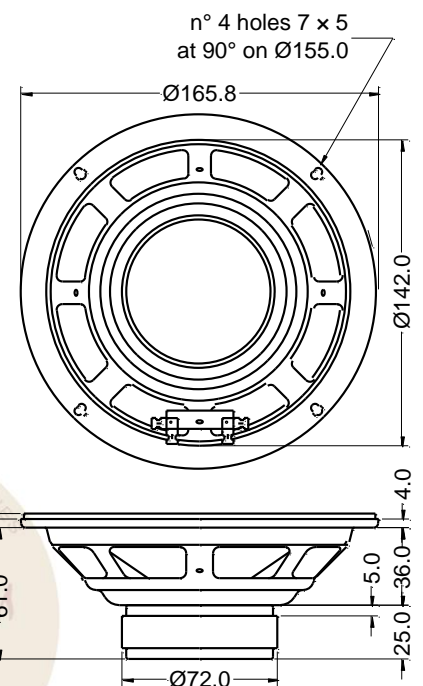
Extremely versatile. Warm clean tone with top-end chime.

It remains strong and articulate when presented with overdrive distortion.

Specifications	
Nominal Diameter	165 mm (6,5")
Nominal Impedance	4 Ω
Rated Power AES ⁽¹⁾	20 W
Continuous Program Power ⁽²⁾	40 W
Sensitivity @ 1W/1m	92.0 dB
Voice Coil Diameter	25 mm
Voice Coil Winding Depth	7 mm
Magnetic Gap Depth	5 mm
Flux Density	1.00 T
Magnet Weight	245 g
Net Weight	0.7 kg

Thiele & Small Parameters ⁽³⁾			
Re	3.30 Ω	Fs	110.0 Hz
Qms	11.29	Mms	7.3 g
Qts	0.91	Bxl	4.10 Tm
Cms	287 μm/N	Sd	122.7 cm ²
Vas	6.1 l	Le (1kHz)	0.30 mH

Constructive Characteristics	
Magnet	Ferrite
Basket Material	Pressed Sheet Steel
Voice Coil Winding Material	Copper
Voice Coil Former Material	Epotex
Cone Material	Paper
Surround Treatment	Yes
Surround Material	Paper - Integrated
Dust Dome Material	Non Treated Cloth



Note:

- 1: Rated Power measured with 2 hours test with pink noise signal, 6dB crest factor, loudspeaker mounted on enclosure
- 2: Power on Continuous Program is defined as 3 dB greater than the Rated Power
- 3: Thiele & Small parameters measured with laser system without preconditioning test
- 4: Drawing dimensions: mm
- 5: The notch around 400Hz on the frequency response is typical of the measurement on IEC baffle

