

12" - 80W Vintage AlNiCo Loudspeaker

P 12 Q - 4 Ω

Code ZJ06165

GENERAL CHARACTERISTICS

Nominal Overall Diameter	306	mm
Nominal Voice Coil Diameter	32	mm
Magnet Weight	300	g
Flux Density.....	0.98	T
Weight.....	1.84	Kg

THIELE-SMALL PARAMETERS

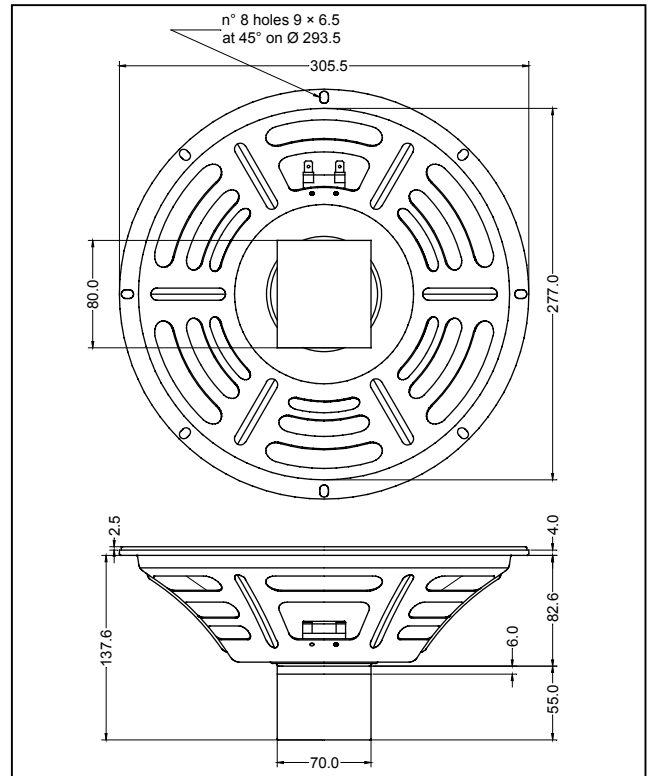
Voice Coil DC Resistance	R_E	3.06	Ω
Resonance Frequency	f_s	88.2	Hz
Mechanical Q Factor.....	Q_{MS}	9.50	
Electrical Q Factor.....	Q_{ES}	2.40	
Total Q Factor	Q_{TS}	1.91	
Mechanical Moving Mass	M_{MS}	29.5	g
Mechanical Compliance	C_{MS}	110	μm/N
Force Factor	$B \times l$	4.56	Wb/m
Equivalent Acoustic Volume.....	V_{AS}	37.6	lt.
Maximum Linear Displacement	X_{MAX}	+/-2.0	mm
Reference Efficiency	η_0	1.04	%
Diaphragm Area	S_D	490.9	cm ²
Losses Electrical Resistance.....	R_{ES}	12.1	Ω
Voice Coil Inductance @ 1kHz	L_E	0.36	mH

CONSTRUCTIVE CHARACTERISTICS

Magnet.....	AlNiCo
Voice Coil Winding.....	Copper
Voice Coil Former.....	Epotex
Cone	Paper
Surround.....	Paper - Integrated
Dust Dome	Solid Paper
Basket	Pressed Sheet Steel

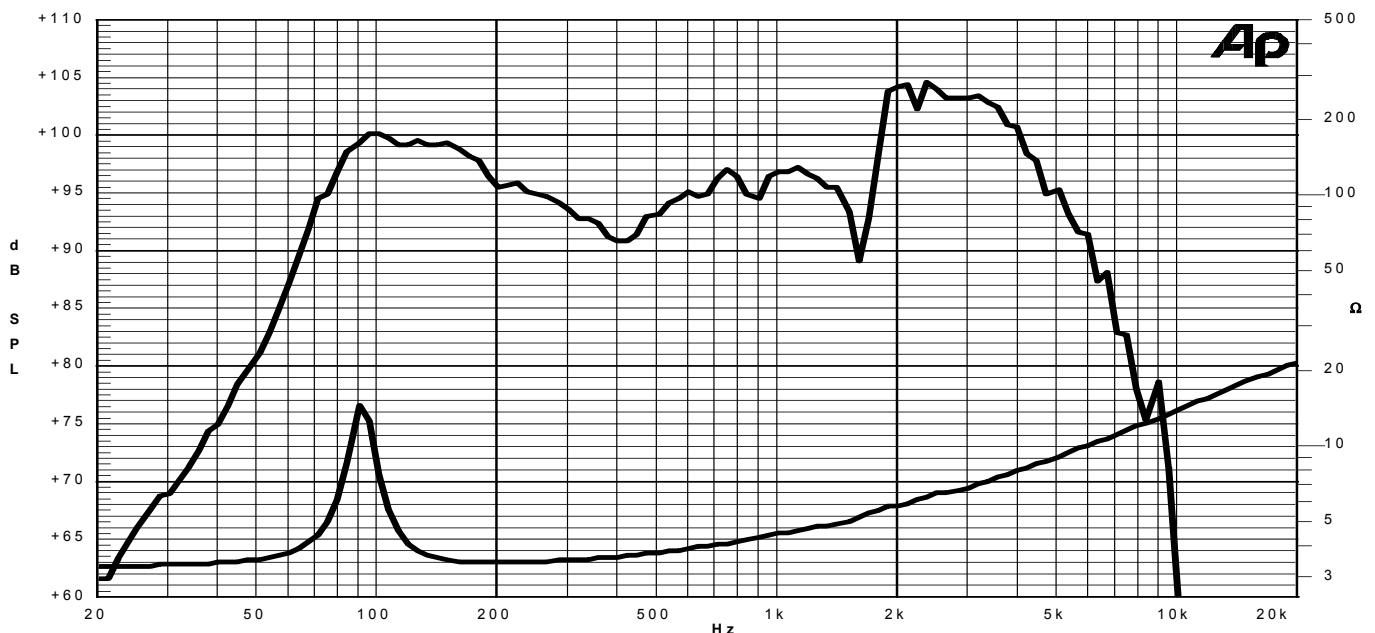
ELECTRICAL CHARACTERISTICS

Nominal Impedance.....	4	Ω
Musical Power	80	W
Rated Power*	40	W
Sensitivity @ 1 W, 1 m	93.5	dB



*rated power measured with 2 hours test with pink noise signal, 6 dB crest factor, loudspeaker mounted on enclosure
Thiele-Small parameters measured with I ASFR system

Frequency Response on IEC Baffle (DIN 45575) @ 1 W, 1 m - Impedance



Due to continuing product improvement, the features and the design are subject to change without notice.

29/04/10