

LOWS:
Fat

MIDS:
Firm

HIGHS:
Smooth

OVERDRIVE:
Smooth

Sound Features:

Guitarist Description:

Warm, smooth and open with strong, throaty note definition complemented by crisp, clear highs.

Specifications

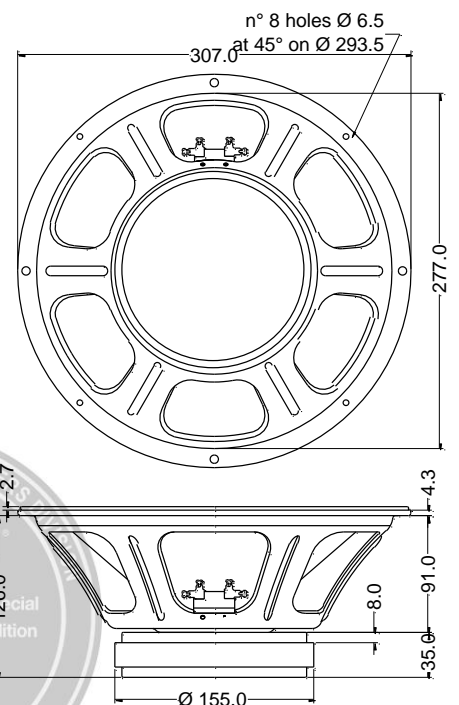
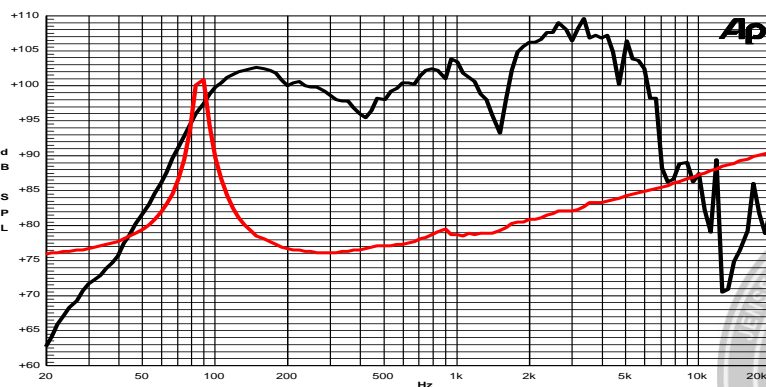
Nominal Diameter	307 mm (12")
Nominal Impedance	16 Ω
Rated Power AES ⁽¹⁾	75 W
Continuous Program Power ⁽²⁾	150 W
Sensitivity @ 1W/1m	98.9 dB
Voice Coil Diameter	44 mm
Voice Coil Winding Depth	11 mm
Magnetic Gap Depth	8 mm
Flux Density	1.29 T
Magnet Weight	1450 g
Net Weight	4.3 kg

Thiele & Small Parameters⁽³⁾

Re	12.04 Ω	Fs	88.4 Hz
Qms	13.18	Mms	27.6 g
Qts	0.72	Bxl	15.57 Tm
Cms	118 μm/N	Sd	490.9 cm ²
Vas	40.0 l	Le (1kHz)	0.81 mH

Constructive Characteristics

Magnet	Ferrite
Basket Material	Pressed Sheet Steel
Voice Coil Winding Material	Aluminium
Voice Coil Former Material	Fiberglass
Cone Material	Paper
Surround Treatment	Yes
Surround Material	Paper - Integrated
Dust Dome Material	Non Treated Cloth



Note:

- 1: Rated Power measured with 2 hours test with pink noise signal, 6dB crest factor, loudspeaker mounted on enclosure
- 2: Power on Continuous Program is defined as 3 dB greater than the Rated Power
- 3: Thiele & Small parameters measured with laser system without preconditioning test
- 4: Drawing dimensions: mm
- 5: The notch around 400Hz on the frequency response is typical of the measurement on IEC baffle