

15" - 100W AlNiCo Guitar Loudspeaker

P 15 N - 4 Ω

Code ZJ07081

GENERAL CHARACTERISTICS

Nominal Overall Diameter	385	mm
Nominal Voice Coil Diameter	38	mm
Magnet Weight	826	g
Flux Density.....	1.26	T
Weight	3.80	Kg

THIELE-SMALL PARAMETERS

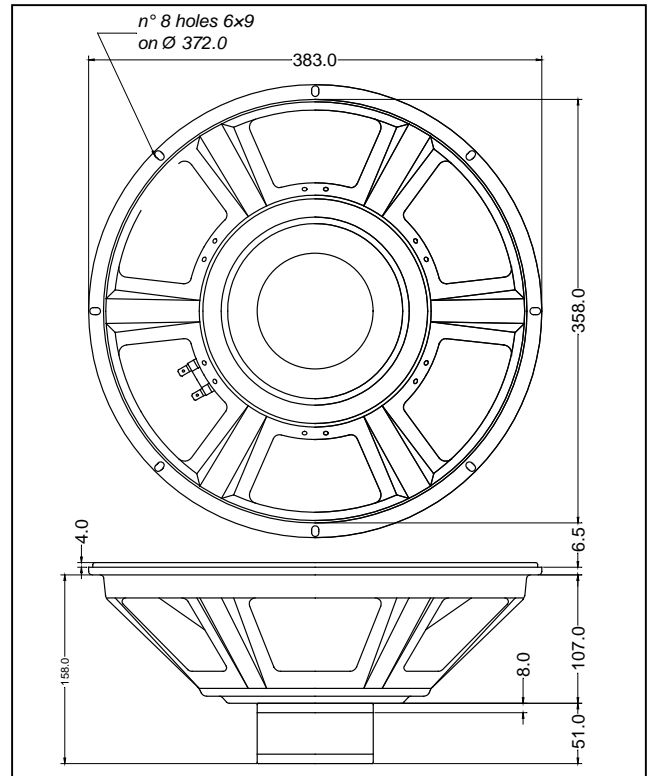
Voice Coil DC Resistance	R_E	3.09	Ω
Resonance Frequency	f_s	56.4	Hz
Mechanical Q Factor.....	Q_{MS}	5.83	
Electrical Q Factor.....	Q_{ES}	0.93	
Total Q Factor	Q_{TS}	0.80	
Mechanical Moving Mass	M_{MS}	47.5	g
Mechanical Compliance	C_{MS}	168	μm/N
Force Factor	$B \times l$	7.48	Wb/m
Equivalent Acoustic Volume.....	V_{AS}	134.0	lt.
Maximum Linear Displacement	X_{MAX}	+/-1.5	mm
Reference Efficiency	η_0	2.49	%
Diaphragm Area	S_D	754.8	cm ²
Losses Electrical Resistance.....	R_{ES}	19.4	Ω
Voice Coil Inductance @ 1kHz	L_E	0.70	mH

CONSTRUCTIVE CHARACTERISTICS

Magnet	AlNiCo
Voice Coil Winding.....	Copper
Voice Coil Former.....	Kapton
Cone	Paper
Surround.....	Paper - Integrated
Dust Dome	Solid Paper
Basket	Pressed Sheet Steel

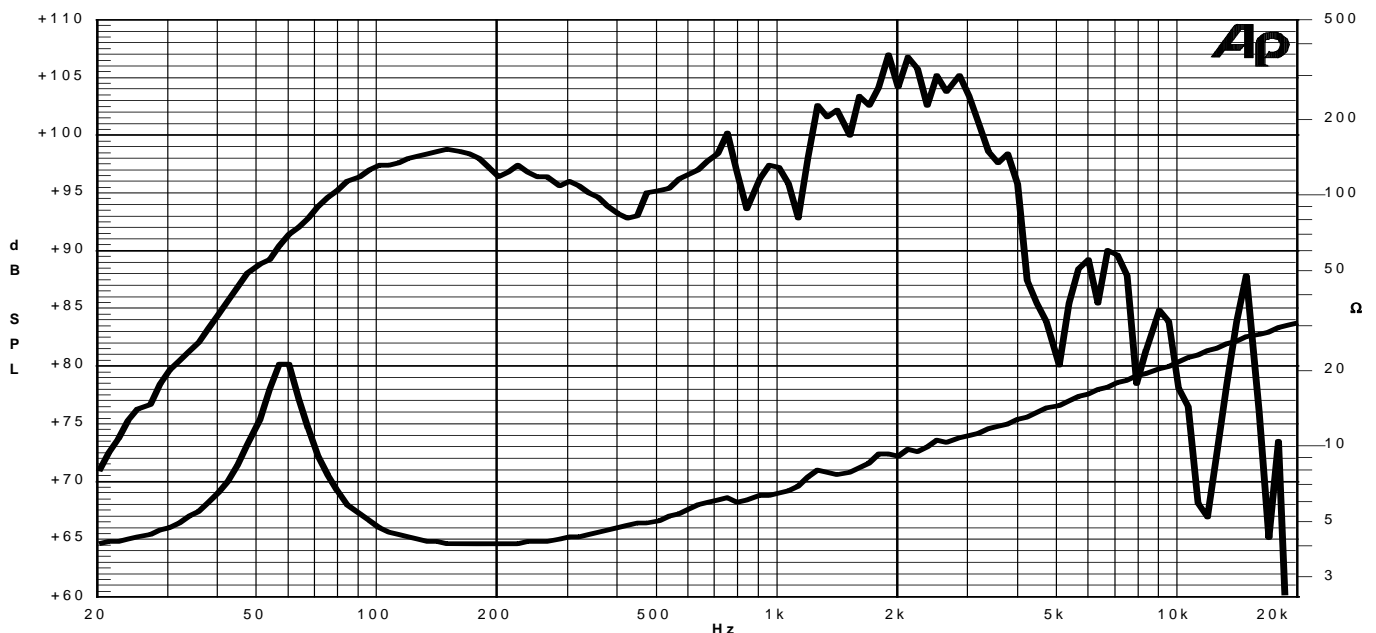
ELECTRICAL CHARACTERISTICS

Nominal Impedance.....	4	Ω
Musical Power	100	W
Rated Power*	50	W
Sensitivity @ 1 W, 1 m	97.1	dB



*rated power measured with 2 hours test with pink noise signal, 6 dB crest factor, loudspeaker mounted on enclosure
Thiele-Small parameters measured with LASER system

Frequency Response on IEC Baffle (DIN 45575) @ 1 W, 1 m - Free Air Impedance



Due to continuing product improvement, the features and the design are subject to change without notice.

10/01/14